

# Huawei FusionSolar X Facility Parco Agrisolare

# Inverter Ibridi e Accumulo in DC con Smart Assistant

fino a 75 kW  
fino a 252 kWh



**Smart PV Inverter, max. 3**  
SUN2000-12/15/17/20/25KTL-MB0



**Batteria residenziale,  
fino a 12 BMS**

LUNA2000-(5-15)-S1 **New**  
LUNA2000-(7-21)-S1



**Portale di  
monitoraggio**

Hosting su cloud e app  
FusionSolar



**Dispositivo di  
comunicazione**

Smart Assistant



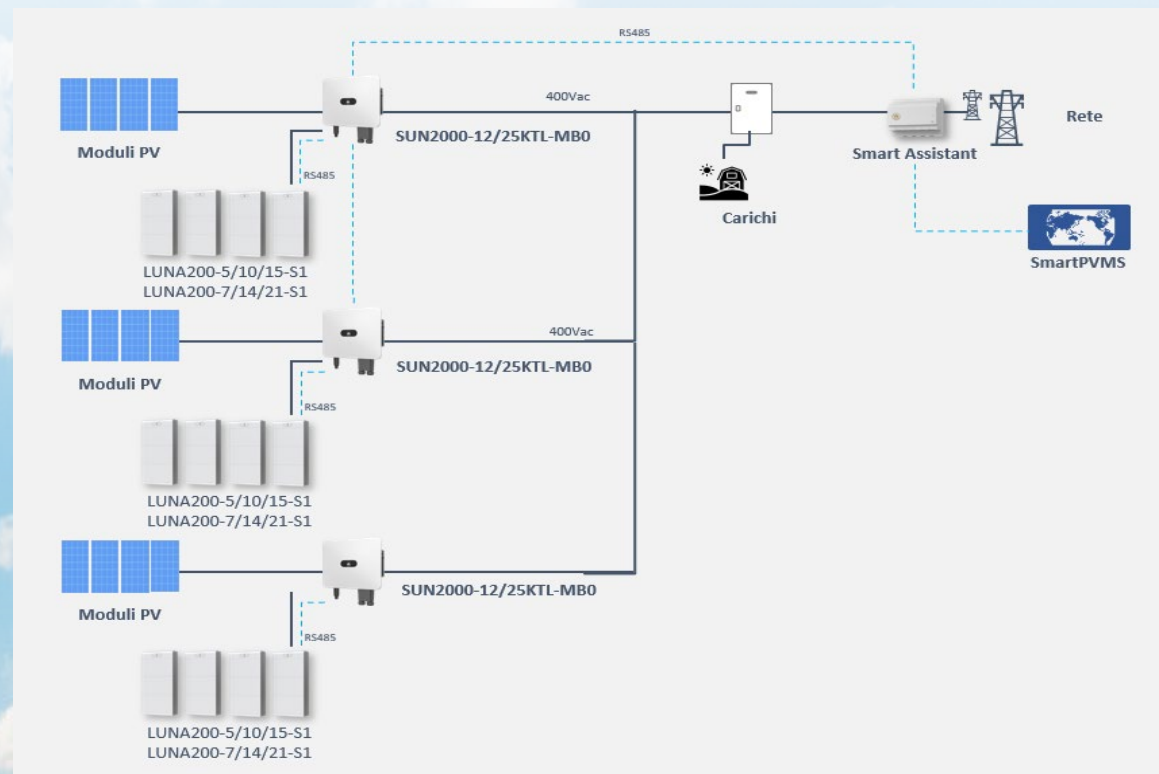
**Ottimizzatori**

SUN2000-600W-PA0  
MERC-1100/1300W-P



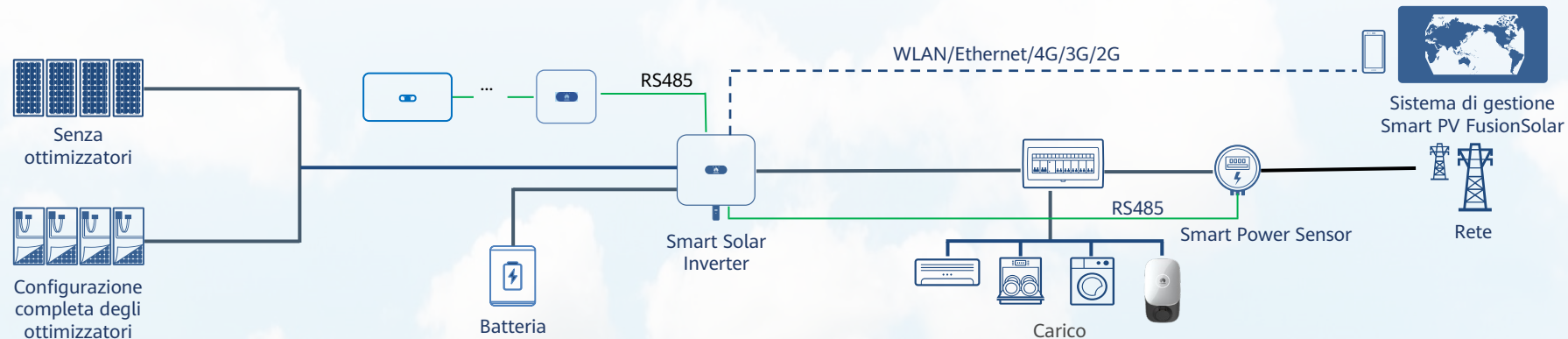
**AC Charger, fino a 2**

Scharger-7KS/22KT-S0

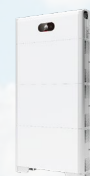


# 1 Inverter C&I e 2 Ibridi con Accumulo in DC

fino a 200 kW  
fino a 168 kWh



**Smart PV Inverter**  
SUN2000-12/15/17/20/25KTL-MB0



**Batteria residenziale** **New**  
fino ad 8 BMS  
LUNA2000-(7-21)-S1  
01076608-007



**Smart PV Inverter** **New**  
SUN2000-30/36/40/50KTL-M3  
SUN2000-30/40/50K-MC0



**Smart PV Inverter**  
SUN2000-100/115KTL-M2



**Smart PV Inverter**  
SUN2000-150K-MG0



**AC Charger**  
Scharger-7KS/22KT-S0 (con  
S. Logger modalità stand  
alone)



**Portale di  
monitoraggio**  
Hosting su cloud e app  
FusionSolar



**SmartLogger**  
SmartLogger3000A



**Smart Power Sensor**  
DTSU666-HW 80 A (Trifase)

# Smart PV Controller



**SUN2000-12-25KTL-MB0**

## High Efficiency

Max. Efficiency 98.4%

## High Current

Max. Current 30 A / MPPT

## Optimizer Ready

both SUN2000 and MERC

## Battery Ready

LUNA2000-5-15-S1

LUNA2000-7-14-S1

## Multi-MPPT

2 MPPTs, 4 Inputs

## MPPT Voltage Range

200 ~ 1,000 V

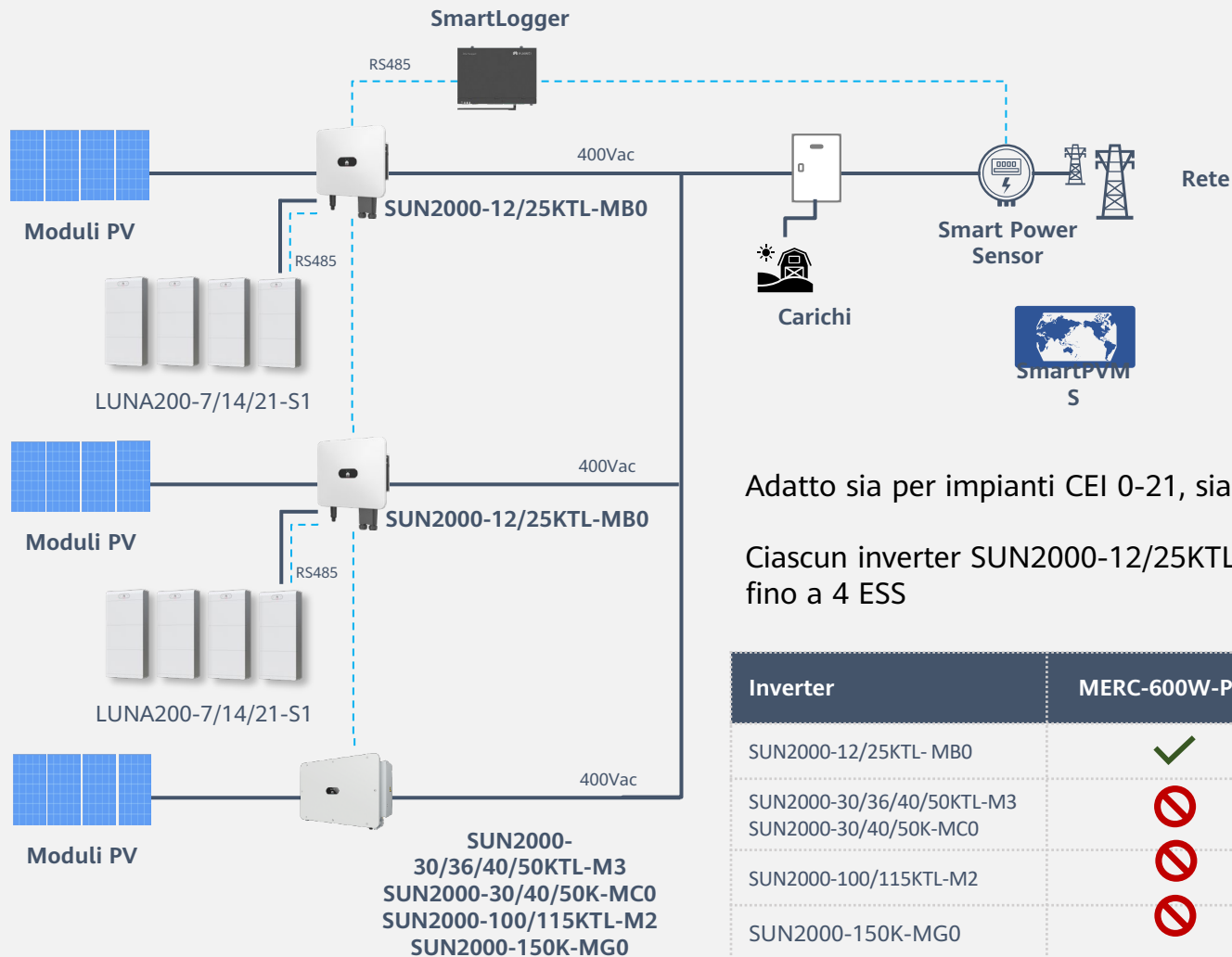
## Compact Design

21kg, Lighter & Smaller

## Protection Degree

IP66

# Max. Power - Fino 200 kWAC e 168 kWh



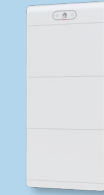
Adatto sia per impianti CEI 0-21, sia per impianti in CEI 0-16

Ciascun inverter SUN2000-12/25KTL-MB0 può supportare fino a 4 ESS

Inverter	MERC-600W-PA0	MERC 1100/1300W-P
SUN2000-12/25KTL- MB0	✓	✓
SUN2000-30/36/40/50KTL-M3 SUN2000-30/40/50K-MC0	✗	✓
SUN2000-100/115KTL-M2	✗	✗
SUN2000-150K-MG0	✗	✗



**Hybrid PV Inverter**  
SUN2000-12/25KTL-MB0



**Smart String ESS**  
LUNA200-7/14/21-S1 codice  
01076608-007



**String PV Inverter**  
SUN2000-30/36/40/50KTL-M3  
SUN2000-30/40/50K-MC0  
SUN2000-100/115KTL-M2  
SUN2000-150K-MG0

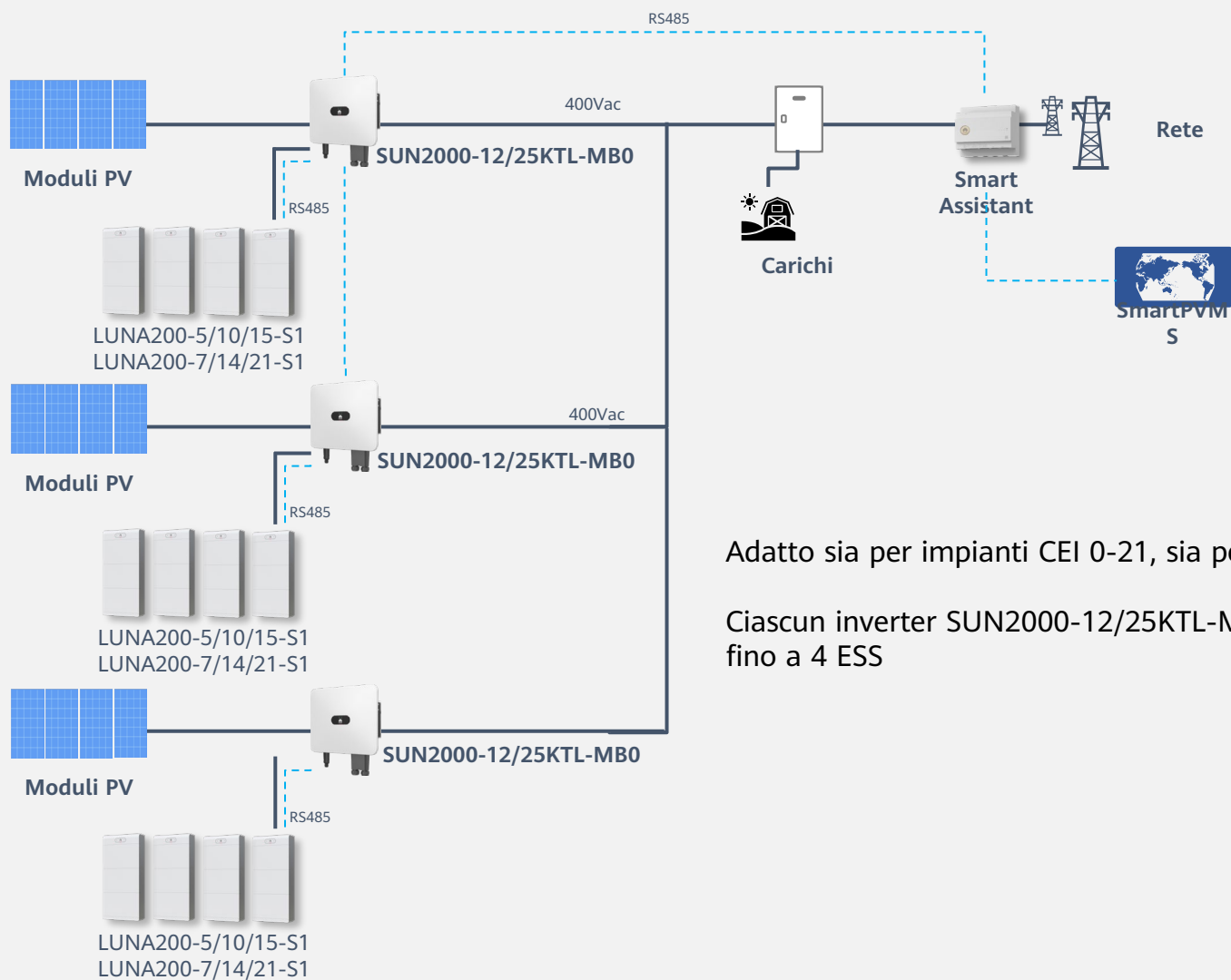


**SmartLogger**  
SmartLogger3000A



**Ottimizzatori**  
MERC-1100/1300W-P non  
compatibile con M2 e SUN5000-  
150K-MG0  
MERC-600W-PA0 solo con MB0

# Max. Capacity - Fino a 75 kWAC e 252 kWh



Adatto sia per impianti CEI 0-21, sia per impianti in CEI 0-16

Ciascun inverter SUN2000-12/25KTL-MB0 può supportare fino a 4 ESS



**Hybrid PV Inverter, max. 3**  
SUN2000-12/25KTL-MB0



**Smart String ESS, max. 12 BMS**  
LUNA200-5/10/15-S1  
LUNA200-7/14/21-S1



**Smart Meter**  
Smart Assistant

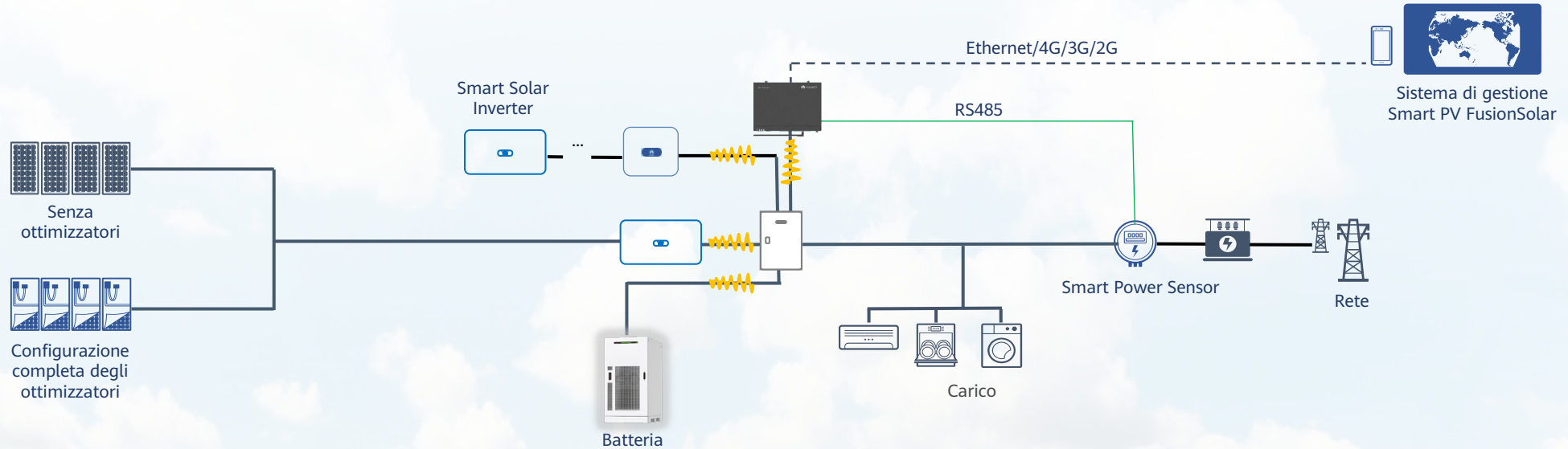


**Ottimizzatori**  
MERC-1100/1300W-P  
MERC-600W-PAO



**AC Charger max. 2**  
Scharger-7KS/22KT-S0

# Accumulo in AC



## Smart PV Inverter

New

SUN2000-12/15/17/20/25KTL-MB0  
SUN2000-30/40/50K-MC0



## Smart PV Inverter

SUN2000-100/115KTL-M2



## Smart PV Inverter

SUN2000-150K-MG0  
SUN5000-150K-MG0



## Smart String ESS

New

LUNA2000-241-2S1  
LUNA2000-215-2S10  
LUNA2000-161-2S11  
LUNA2000-107-1S11



## SmartLogger

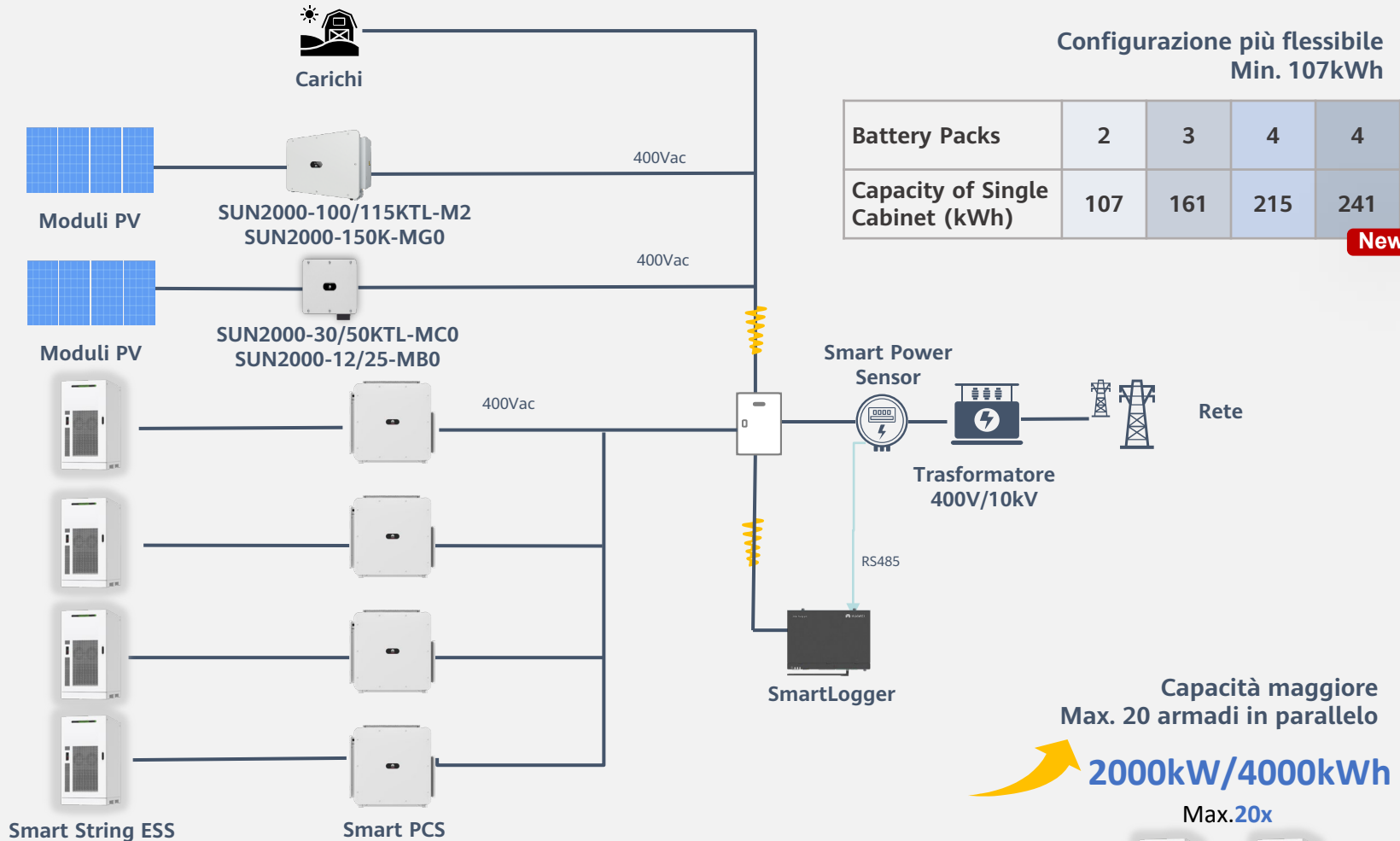
SmartLogger3000C01  
Smartlogger5000B  
SmartMGC5000B



## Portale di monitoraggio

Hosting su cloud e app  
FusionSolar

# Max. 30 inverter e 20 BESS - fino a 4.8 MWh



## Smart String ESS max. 20 BESS

LUNA2000-241-2S1  
LUNA2000-215-2S10  
LUNA2000-161-2S11  
LUNA2000-107-1S11



## String PV Inverter

SUN2000-12/25KTL-MB0  
SUN2000-30/50KTL-MC0



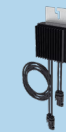
## String PV Inverter

SUN2000-100/115KTL-M2  
SUN2000-150K-MG0  
SUN5000-150K-MG0



## SmartLogger

SmartLogger3000C01  
Smartlogger5000B/SmartMGC5000B



## Ottimizzatori

MERC-1100/1300W-P (non compatibili con M2 e SUN2000-150K-MG0)