

AMTRON®

Compact 2.0 7,4 C2

For charging electric vehicles in private areas



MENNEKES
Elektrotechnik GmbH & Co. KG

Aloys-Mennekes-Straße 1
57399 Kirchhundem
GERMANY

www.chargeupyourday.com

Equipment features

General

- Mode 3 charging (IEC 61851-1)
- Plugs and sockets according to IEC 62196-2
- Maximum charging power: 7.4 kW
- Connection: 1-phase
- Max. charging power configurable by qualified electrician
- Status information via LED information panel
- Temperature monitoring
- Sleep mode to reduced standby consumption (about 1 W)
- Permanently connected charging cable with type 2 (7.5 m)
- Integrated cable hanger
- Enclosure made of AMELAN

Authorisation options

- Autostart (without authorisation)
- External authorisation via switching input

Options for local load management

- Reduction of the charging current via switching input (downgrade)
- Reduction of the charging current in case of uneven phase load (unbalanced load limitation)

Integrated protective devices

- No integrated Residual Current Device
- No integrated circuit breaker
- DC residual current monitoring > 6 mA with tripping characteristics in accordance with IEC 62955
- Switching output for controlling an external shunt release, in order to disconnect the charging point voltage in case of a fault (sticking load contactor) (welding detection)

Technical data

AMTRON® Compact 2.0 7,4 C2		1321107205
Max. charging power Mode 3 [kW]	Charging point 1	7.4
Connection	Charging point 1	1-phase
Rated current I_{nA} [A]		32
Rated current of a Mode 3 I_{nC} charging point [A]		32
Rated voltage U_N [V] AC $\pm 10\%$		230 / 400
Rated frequency f_N [Hz]		50
Max. back-up fuse [A]		According to rating plate / configuration
Rated insulation voltage U_i [V]		500
Rated impulse withstand voltage U_{imp} [kV]		4
Conditional rated short-circuit current I_{CC} [kA]		10
Rated diversity factor RDF		1
Types of system earthing		TN/TT
EMC classification		A+B
Protection class		I
IP rating		IP44
Overvoltage category		III
Mechanical impact protection		IK10
Contamination rating		3
Installation		open air, interior
Stationary / Mobile		fixed
Use (according to IEC 61439-7)		ACSEV
External design		wall mounting
Dimensions H x W x D [mm]		According to dimensional drawing
Weight [g]		4700
Standard		IEC 61851, IEC 61439-7

The specific standards according to which the product was tested can be found in the declaration of conformity for the product.

Technical data

Permissible ambient conditions

	Min.	Max.
Ambient temperature [°C]	-30	50
Average temperature over 24 hours period [°C]		35
Altitude [m above sea level]		2000
Relative humidity [%]		95

Technical data

Supply line terminal strip

Number of terminals	3	
Line material	Copper	
	Min.	Max.
Clamping range - rigid [mm ²]	0.2	10
Clamping range - flexible [mm ²]	0.2	10
Clamping range with ferrule [mm ²]	0.2	6
Tightening torque [Nm]	0.8	1.5

Downgrade relay

Number of terminals	2	
Coil voltage [V]	-	
	Min.	Max.
Clamping range - rigid [mm ²]	0.5	4
Clamping range - flexible [mm ²]	0.5	4
Clamping range with ferrule [mm ²]	0.5	2.5
Tightening torque [Nm]	0.8	1.5

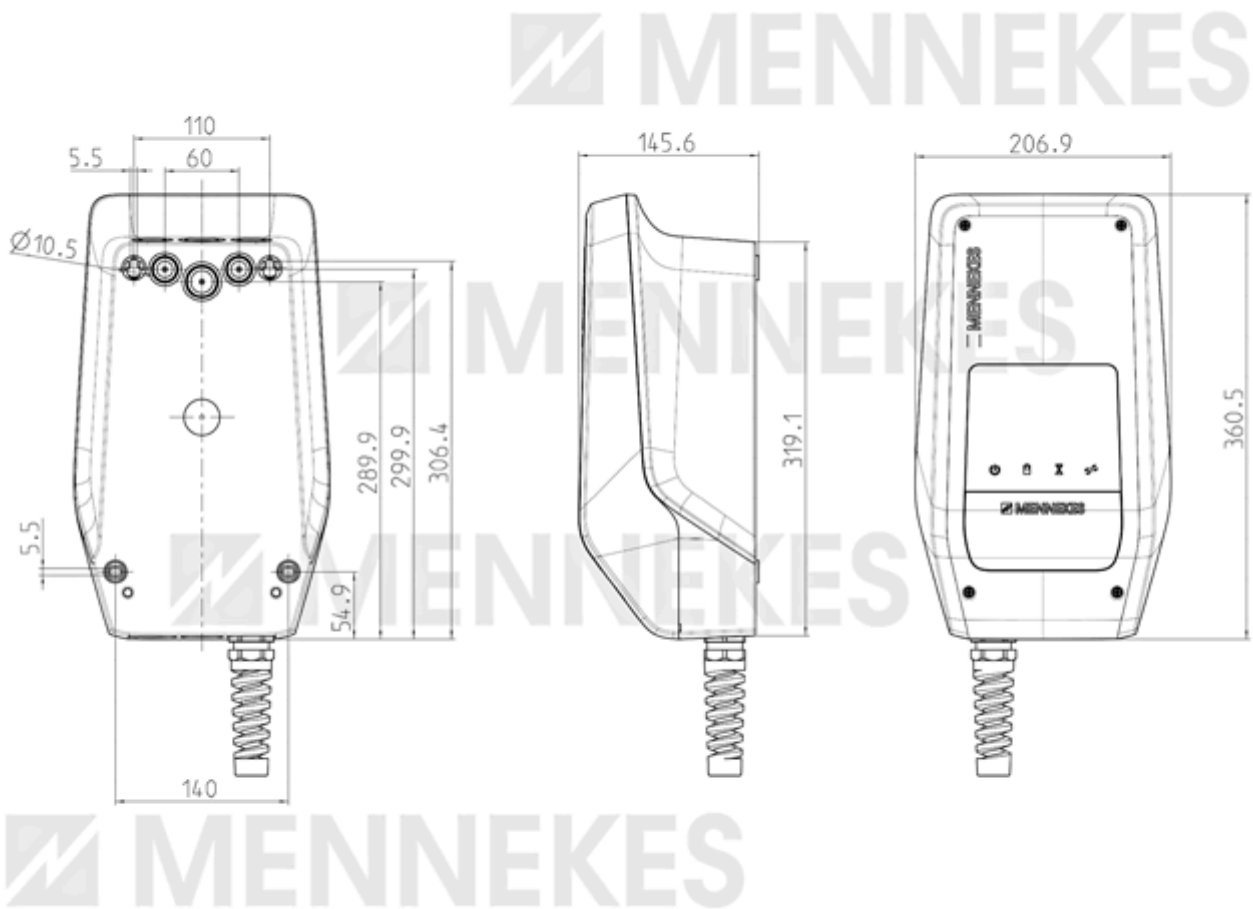
Shunt release relay

Number of terminals	2	
Coil voltage [V]	230	
	Min.	Max.
Clamping range - rigid [mm ²]	0.5	4
Clamping range - flexible [mm ²]	0.5	4
Clamping range with ferrule [mm ²]	0.5	2.5
Tightening torque [Nm]	0.8	1.5

External switching contact terminal strip

Number of terminals	2	
Coil voltage [V]	-	
	Min.	Max.
Clamping range - rigid [mm ²]	0.5	4
Clamping range - flexible [mm ²]	0.5	4
Clamping range with ferrule [mm ²]	0.5	2.5
Tightening torque [Nm]	0.8	1.5

Dimensional drawing



1 MB 673

Example

