



User´s and Installer´s Manual Betriebs- und Montageanleitung

Sine Wave Inverter with Battery Charger and Transfer System
Sinuswechselrichter mit Batterielader und Transfersystem

Steca XPC

XPC 1400-12
XPC 2200-24
XPC 2200-48



1	General Information	3
1.1	Operating instructions.....	3
1.2	Quality and Warranty.....	3
1.3	Warranty Disclaimer.....	3
1.5	Warning.....	4
2	Introduction	5
2.1	Principle schematic.....	5
2.2	Description of the main functions.....	6
2.3	Battery connecting.....	7
3	Mounting and installing	8
3.1	Installation place.....	8
3.2	Fixing.....	8
3.3	Connections.....	8
3.5	Cabling.....	11
3.6	Pre-installation settings.....	11
4	Control	13
4.1	Display and control parameters.....	13
4.2	Display and control parameters on remote control panel (optional).....	13
4.3	Light Emitting Diodes (LED).....	14
4.4	Push buttons.....	15
4.5	Turning Knobs.....	15
4.6	The Inverter.....	15
4.7	The battery charger.....	16
4.8	The Transfer system.....	18
4.9	The Multifunctional Contact.....	20
4.10	The Remote Control RCC-01.....	21
4.11	The Temperature sensor CT-35.....	21
5	Programming (possible only with the remote control RCC-01)	22
5.1	Standard setting.....	22
5.2	Reset value (default settings).....	22
5.3	Battery voltages and absorption time.....	22
5.4	Auxiliary contact.....	23
6	Installation Maintenance	26
7	Declaration of CE Compliance	26
8	Technical Data	27

1 General Information

1.1 Operating instructions

This manual is part of the delivery package of every XP-COMPACT inverter-charger. It serves as guidelines for safe and efficient operation of XP-COMPACT. The instructions are only valid for use with the following devices and options:

XP-COMPACT XPC 1400-12

XP-COMPACT XPC 2200-24

XP-COMPACT XPC 2200-48

Temperature sensor CT-35

AC cable cover CFC-01

Remote Control RCC-01

IP23 cover C-IP23

Solar charge controller XPC xxxx-xx-S

Every person who installs a XP-COMPACT and/or works with it must be fully familiar with the content of this manual and must follow exactly all the warning and safety instructions. Installation of or any work on the XP-COMPACT must be carried out by a skilled and trained personnel. Installation and application must comply with the respective local installations codes and safety regulations.

1.2 Quality and Warranty

During production and assembling, all XP-COMPACT appliances go through many controls and tests. Production, controls and tests are carried out in accordance with firm and established procedures. Every XP-COMPACT has its own serial number, which helps to refer back to its original data in the event of controls or repairs. That is why you should never remove the identification plate showing the serial number. The warranty for these appliances is valid for uses and operating possibilities mentioned in this manual.

The warranty period for the XP-COMPACT is 2 years.

1.3 Warranty Disclaimer

We do not accept any liability for any damages occurring through use, manipulation, working situation and handling, which are not explicitly mentioned in these operating instructions.

Following cases are not covered by the warranty:

- High voltage at INPUT (i.e. 48V at the Battery INPUT of XP-COMPACT 1400-12)
- Reverse polarity on Battery connections (+/- reversed)
- Running liquid or oxidation through condensation in the appliance
- Defects caused by force, physical or mechanical means
- Changes not explicitly authorized by STECA
- Not or only partly tightened screws and nuts after change of fuses or cables connecting
- Transport damage, i.e. through bad handling and /or packing
- Damage from atmospheric over voltage (lightning)

1.4 Liability Disclaimer

Respecting this manual, servicing and method of installation, functioning, application and maintenance of the appliance can not be controlled or supervised by STECA. Hence we do not accept any liability and responsibility for damages, losses and costs which result through the use of this appliance or which result through incorrect installation, incorrect operation or wrong application and maintenance, or which by some other means maybe connected to each other.

The use of STECA's inverters does exclusively involve the user's liability.

This device is not designed for applications involving health care and medical treatments where the patient life is concerned and where any mishap may be lethal.

Similarly, we do not accept any liability for any violation of the patents rights or violation of any third party's rights resulting from the use of this appliance

STECA reserves the right to modify the technical data or these operating instructions without any prior notice.

1.5 Warning

This manual must be readily available for the user at any time. The user must be familiar with the precautions and safety aspects in the country of installation.

During operation of XP-COMPACT, high voltages are generated at the connections and inside of the appliance which could be lethal. Work on the appliance and on the installation should only be carried out by skilled and trained people.

The whole installation connected with the XP-COMPACT must comply with the rules and codes in force.

People without the written authorization from STECA are strictly forbidden to carry out any change or repair on the appliances. For authorized changes only original parts are to be used.

The XP-COMPACT may only be used when it has been installed in accordance with these instructions and all parts have been correctly assembled and installed.

The XP-COMPACT may only be connected to lead-acid or lead-gel batteries.

Caution: Even when a XP-COMPACT has been disconnected from all connections, at the OUTPUT point there could still be deadly voltages present. To remove these voltages you must switch on the XP-COMPACT ON with the ON/OFF switch. After one minute the electronics are discharged and any work can now be safely carried out.

The XP-COMPACT is only suitable for internal use and under no circumstances should it be subjected to snow, rain, or any other wet conditions.

By installations in motorized vehicles the XP-COMPACT must be protected from water-spray and any other wet conditions.

Caution: In normal use lead-acid and lead-gel batteries give out explosive gases. Never smoke or allow a spark or flame in the vicinity of batteries. The batteries must always be stored or placed in a well ventilated room, they should be placed in such a way that there is no danger of short-circuit through carelessness. Never charge frozen batteries.

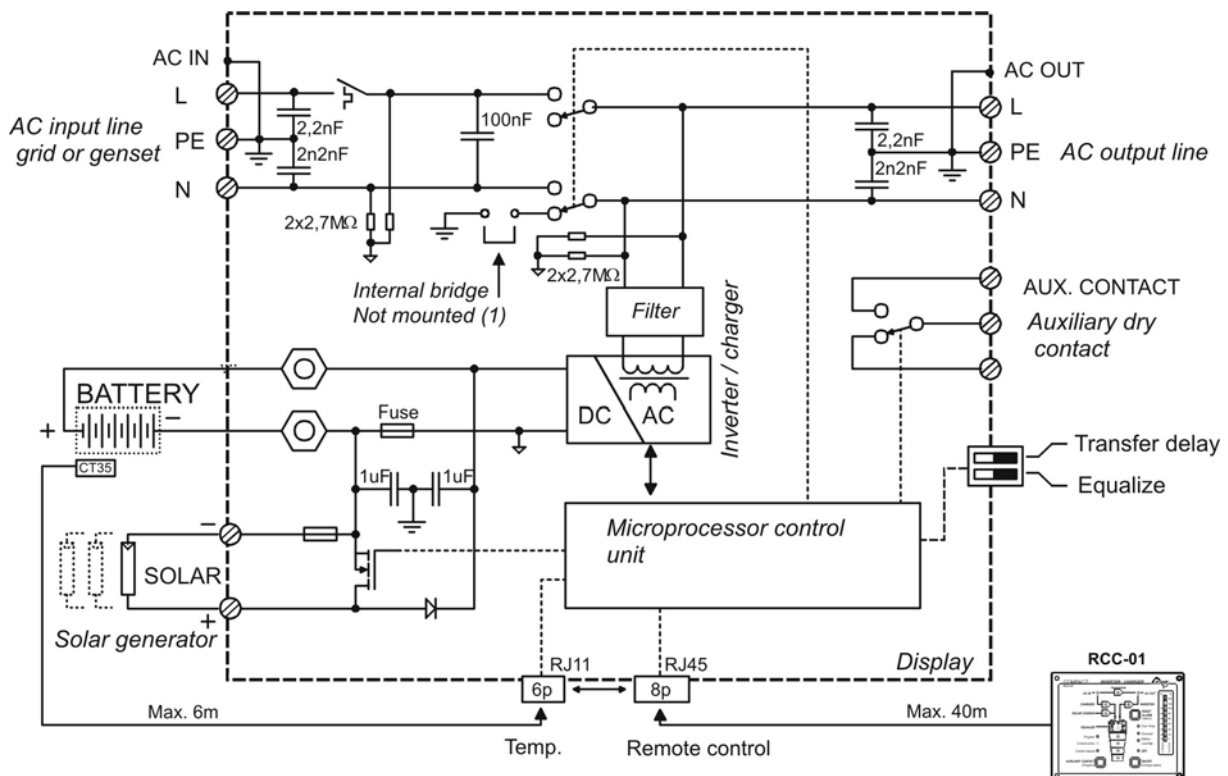
1.6 Special precautions

- While working on batteries there should always be a second person close to you or within your voice range, in case help is needed.
- Plenty of fresh water and soap must be ready at hand so that in case of acid coming in contact with skin, eyes and clothes, the areas in question can be thoroughly washed.
- If acid enters the eyes, you must thoroughly wash them with cold running water for at least 15 minutes. It is recommended that you immediately consult a medical doctor.
- Baking powder neutralizes battery acid electrolyte. Always keep some at hand.
- Special care must be taken when working with metal tools near or on the batteries. With tools such as screwdrivers, spanners etc. short-circuits can result. Sparks produced by the short circuit can cause an explosion.
- When working on batteries all personal metal items such as rings, necklaces and bracelets must be removed. Batteries are so powerful that short-circuit with these items can melt them and thus cause severe burns. Always follow the battery manufacturer instructions.
- Under certain conditions XP-COMPACT or a connected generator can start automatically. While working on an electrical installation you must ensure that these appliances are disconnected beforehand from the installation.

2 Introduction

The XP-COMPACT is a sine wave inverter with integrated battery charger with many additional functions, it has been developed to be used as stand-alone (no grid-feeding) AC provider, or as continuous / break-free current supply provider (UPS).

2.1 Principle schematic



Notes:

(1) **The neutral of the appliance is not connected to the earth** whatever the function mode is. If requested and according to the local regulation, an automatic connection between Neutral and earth in inverter mode only may be done by installing a bridge internally to the unit. Please contact your installer regarding this point.

(2) Remote control for remote adjustment of the input limit. (see chap. 4.6.3)

2.2 Description of the main functions

2.2.1 *The inverter*

The sine wave inverter XP-COMPACT generates a sinusoidal AC voltage with an exceptionally precise voltage and stabilized frequency. In order to start large electric motors, the user has the possibility to use a short surge power which is 3 times the nominal power of the XP-COMPACT.

The inverter is protected against overload and short circuit. A power stage with the latest MOS-FET power transistors, a toroidal transformer, and a fast regulating system makes a robust and reliable inverter with the highest efficiency. A 1-20 Watt adjustable charge detection system allows the smallest energy consumption and ensures a long life for the battery.

2.2.2 *The transfer system*

XP-COMPACT can be connected to an AC source. For example a stand-by emergency generator or the AC network. With the transfer system, on one side you have an alternating voltage at the output for the use of consumer appliances. On the other side the battery park is being charged. The distribution of energy between the consumer appliances and battery charger is automatic.

2.2.3 *The battery charger*

The built-in battery charger is so designed that it can charge the battery quickly and fully. A microprocessor controlled, Step charging process, ensures the optimal charging of the battery. The desired charging current can be set continuously from 0 to 20/37/45 A, as per the model. The setting is made accordingly to the battery capacity and power available.

The battery charger is designed for lead-acid and lead-gel batteries. Thanks to the floating charge system the batteries can remain continuously connected.

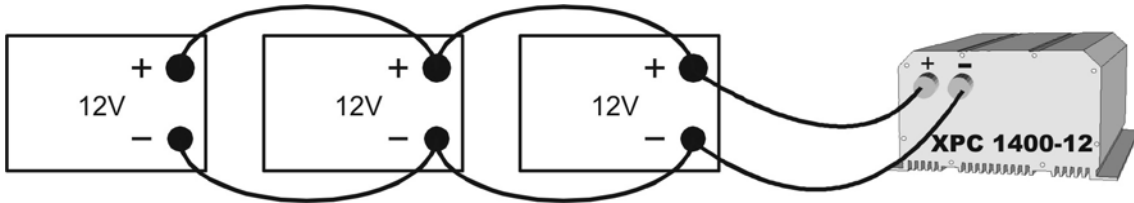
2.2.4 *Remote control*

As an option, a remote control RCC-01 can be connected to XP-COMPACT. All operating features and displays, save the adjustment levels (22/23/24/26), are available on the remote control. It is supplied with a 20m long cable. This cable can be up to 40m long. On the remote control, output power and charging current are also displayed.

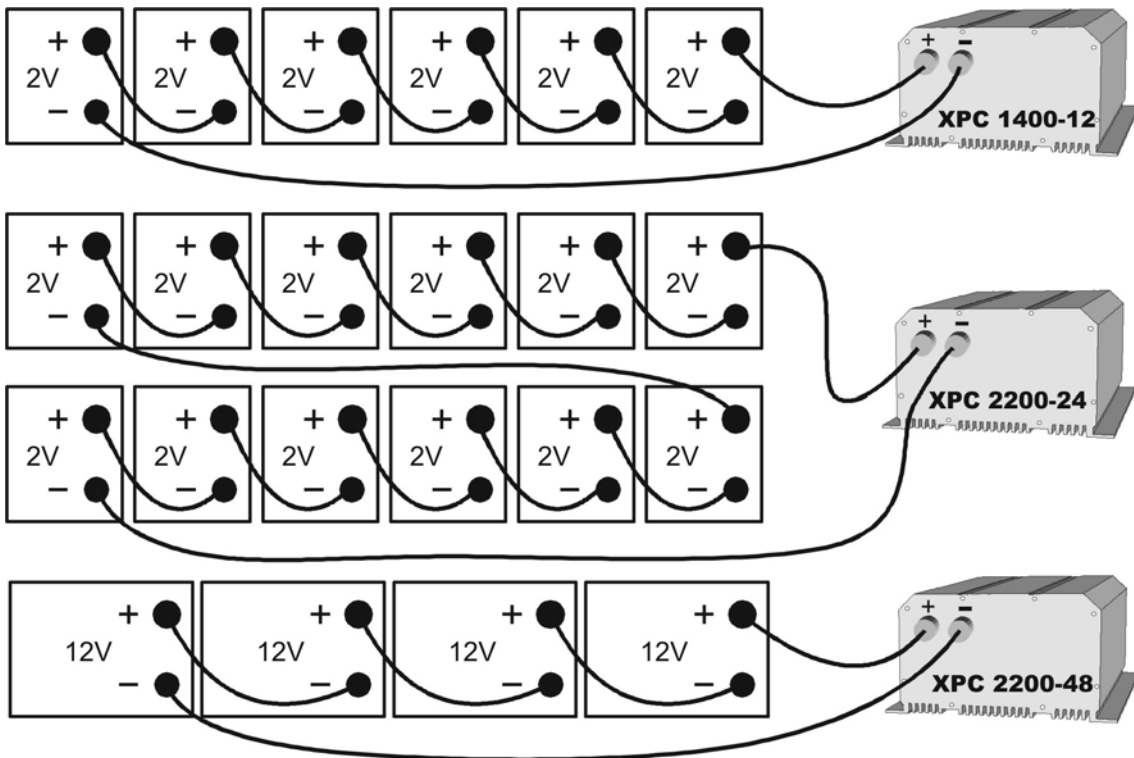
2.3 Battery connecting

Lead-acid batteries are normally available in blocks of 2V, 6V or 12V. In most cases, to generate the necessary operating voltage and the capacity of the batteries for the XP-COMPACT many batteries have to be connected together in parallel and or in series. Here are 3 examples of connection:

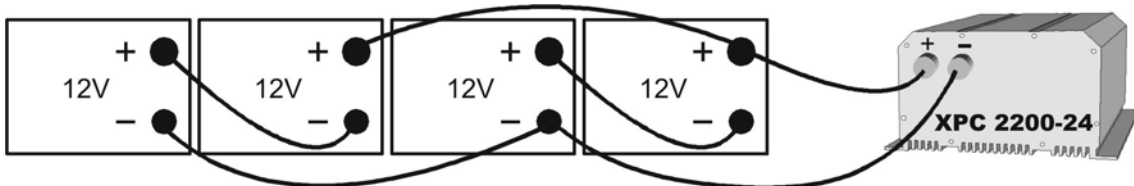
2.3.1 Connection in parallel



2.3.2 Serial connection



2.3.3 Serial and parallel connection



3 Mounting and installing

3.1 Installation place

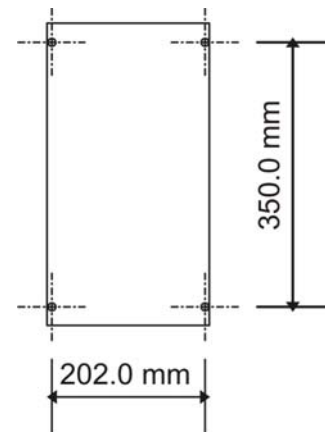
The location of the XP-COMPACT must be driven by the following criteria:

- Protection from unauthorized handling
- Dry dust free room, no condensation
- Never install directly over the battery and never in a cabinet together with the batteries
- Keep ventilation holes free
- In mobile installations it is important to keep the vibrations down as low as possible

3.2 Fixing

3.2.1 Fixing the XP-COMPACT

Basically the XP-COMPACT can be installed in any desired location. Preferred is that the appliance be wall mounted with battery cables downwards. The XP-COMPACT is fixed on the wall with four screws through the four holes (diameter 5.5mm) which are accessible from the outside. In motor vehicles XP-COMPACT must be fixed on vibrations reducing elements. The XP-COMPACT must not be fixed on a combustible base, as the back of the casing can get hot and reach up to 80 degree Celsius.



3.2.2 Protection cover IP-23

This cover IP23 (Order ref. CIP-23) can be easily installed after the fixation of the XP-COMPACT. For that release a little the two screws down and more the two up. Then it's possible to pass the IP 23 cover between the XP-COMPACT and the wall. The cover must touch the screws. Lock on the four screws, it's ready.



3.3 Connections

3.3.1 General instructions on connecting

- The cable connection on the terminals AC INPUT / AC OUTPUT / 16A 230VAC are carried out with a screwdriver Nr.1 and the connection on the SOLAR terminal with a screwdriver Nr.2.
- The conductor cross section on the terminals AC INPUT / AC OUTPUT / 16A 230VAC of the connecting cable must be minimum 2.5mm².
- All connecting cables and also the mounted battery cables, must be fixed with strain relief clamps.
- The XP-COMPACT is delivered with battery cables already connected.
- The battery cables must never be extended. If the extension is unavoidable then the conductor cross section must be elevated accordingly.
- To protect the battery cable, a fuse corresponding to the conductor cross section must be fixed directly on to the battery.

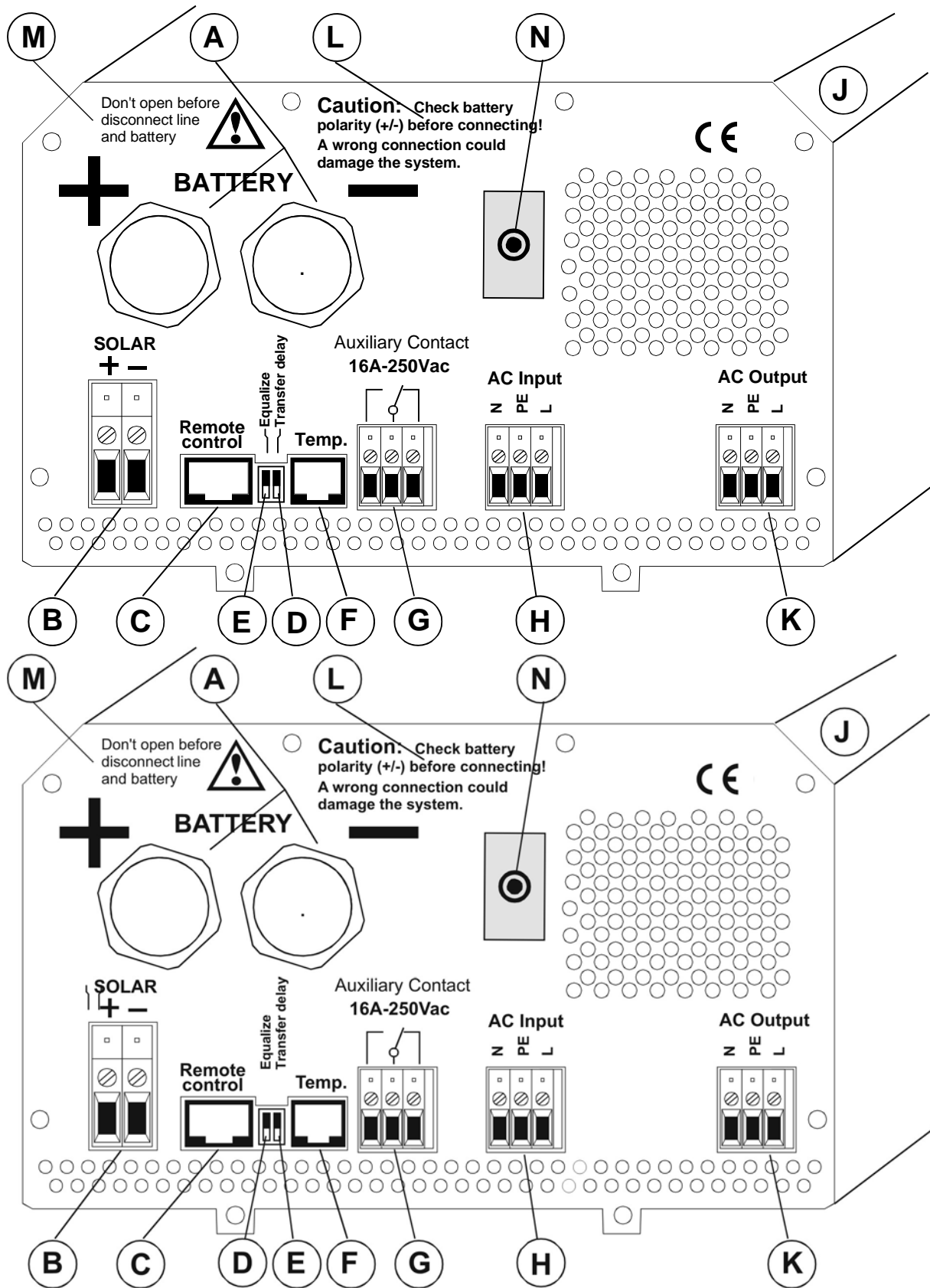
- All cables must be tightly screwed in place. For safety, a yearly control is recommended. In mobile installations control must be carried out more often.
- Connecting must be done by qualified personnel. Material such as cable, connectors and distribution boxes, fuses etc. used in the installation must comply with the respective valid low-voltage installation rules and regulations.

3.3.2 Protection cover of the terminals connections

The protection is available as an option (Order ref. CFC-01) and avoid to do wrong hazardous connection on the terminals 230Vac. It mounted with strain relief clamps for the cable.



3.4 Connection Plan



A Battery +/-	Battery cable (already installed)
B SOLAR +/-	Connection terminal for Solar modules, <i>function not offered</i>
C Remote contr.	Connection terminal for Remote Control RCC-01
D Transfer delay	Slide switch for delayed opening of transfer switch Equalize Slide switch for equalization of the Battery
E Transfer delay	Slide switch for Transfer Delay Equalize Slide switch for equalization of the Battery
F Temp.	Connection terminal for Temperature sensor CT-35
G Aux. Contact	Connection terminal for Auxiliary Contact
H AC Input	Connection terminal for AC-input. Located directly above this terminal is the automatic safety cut-out for this terminal.
J ID Plate	Identification plate with Technical data and Serial number
K AC Output	Connection terminal for AC-output
L Caution...	Caution: Check Polarity (+/-) before connecting the battery !
M Don't...	Do not open without disconnecting all terminals
N 16A Protection	16A Protection switch for the Transfer system

3.5 Cabling

Connecting the XP-COMPACT is a very important step of the installation. You must take care that all connection work is carried out in a clean and correct way and that under no circumstance a cable is connected to a wrong terminal.

Connecting of the XP-COMPACT must be carried out in the following order. **In case of dismantling this order must be reversed.**

3.6 Pre-installation settings

Before you start with the cabling of the XP-COMPACT you must set the type of battery. In case sealed-gel batteries are used then you must set the small slide-switch „Equalize“ (E) which is on the front with the connection terminals, in OFF position. In case of „normal“ lead-acid – batteries, these can handle a higher equalizing charge, the same slide switch (E) can be set in ON position. In case of doubt leave the setting in OFF position.

This will allow an equalizing cycle (higher end of charge voltage) during the next charge process. Since then equalizing will occur every 25 usual cycles.

In case of doubt leave the setting in OFF position.

3.6.1 Connection to battery

Get the batteries ready for connection: Matching battery terminals, matching fuse on a clamp. Prepare battery cables, if necessary press on cable tabs/shoes. Connect red cable on Plus (+)-Pole and the black cable on the Minus (-) Pole. On connecting the second cable to the battery pole a spark is produced, because for a short time high current flows in the XP-COMPACT to charge the capacitors. For this reason follow strictly the safety measures described in this manual. Check if the red LED OFF (13) is lit. If it is not lit, press shortly on the switch ON/OFF (19), now OFF should be lit.

On connecting the battery the XP-COMPACT needs 1 – 2 Minutes to calculate the actual capacity of the battery. During this time the battery condition is shown as 100% charged. (LED 14 – 17 lit).

If the LED 12 Battery Low/High is lit, the battery charge is too low. If the LED 12 Battery Low/High is blinking, the battery charge is too high.

Caution: With a wrong battery voltage the XP-COMPACT can be destroyed. (for example: connecting a XPC 1400-12 to a 48V-Battery).

Nevertheless, if the XP-COMPACT had been connected with reverse polarity, it is highly probable that the fuse inside the casing is defect. Before opening the casing cover all terminals must be disconnected including the battery. If the XP-COMPACT does not function after the changing of the fuse and correcting of the polarity, it means that it is defect and must be sent for repair.

3.6.2 Connection to the 230Vac-consumer appliances (AC OUTPUT)

The 230V consumer appliances must be connected to the terminals AC OUTPUT with cables which cross section has to follow the local rules in force (usually 2.5mm²). Connections are marked as follows “N“ Neutral, “PE“ Earth (connected to the appliance boxenclosure), “L“ Live.

Caution: High voltages can be there. Make sure that the XP-COMPACT is turned off (LED 13 lighting) before the connection.

3.6.3 Connection to the 230Vac Input (AC INPUT)

The 230V-supply from network or from a generator must be connected to the input terminals AC INPUT with cables which cross section depends on the power source (usually 2.5mm²). Connections are marked as follows: “N“ Neutral, “PE“ Earth (connected to the appliance case), “L“ Live (connected to the appliance case).

3.6.4 Connection to Auxiliary Contact

This contact is a potential free change over contact the currents and voltages allowed for this contact are max. 16A/250Vac. The LED 5 “Contact active” shows the position of them: alight mind active and off mind non-active. The schematic view of the connections on the front, show the relay in the non-active mode.

3.6.5 Connection to Remote control

The Remote Control RCC-01 is connected in the terminal marked „Remote control“ with a 20m long cable and a RJ11/8 connector. The Remote Control can be plugged IN or plugged OUT during any operation situation. Push in the connector softly until you hear the „click“ showing that the connector is locked. The same applies to the plug in the Remote Control.

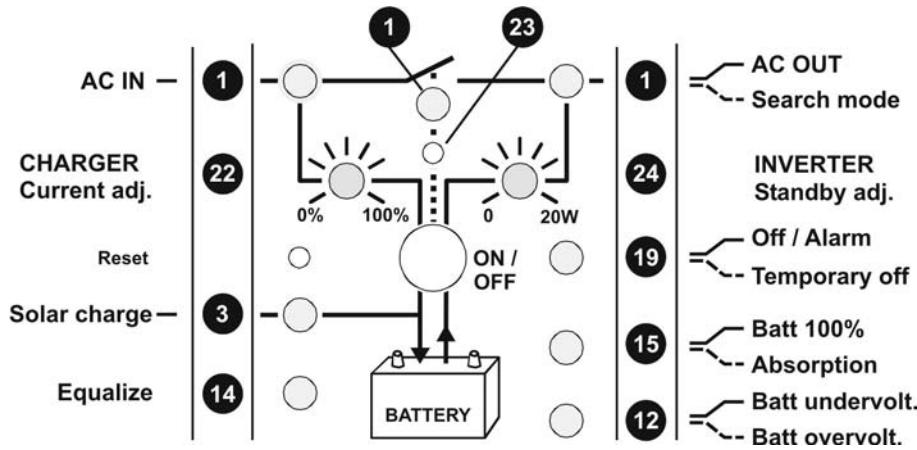
The length of the cable for Remote Control should not exceed 40m. We deliver it with 20m cable.

3.6.6 Connection to Temperature Sensor (Temp.)

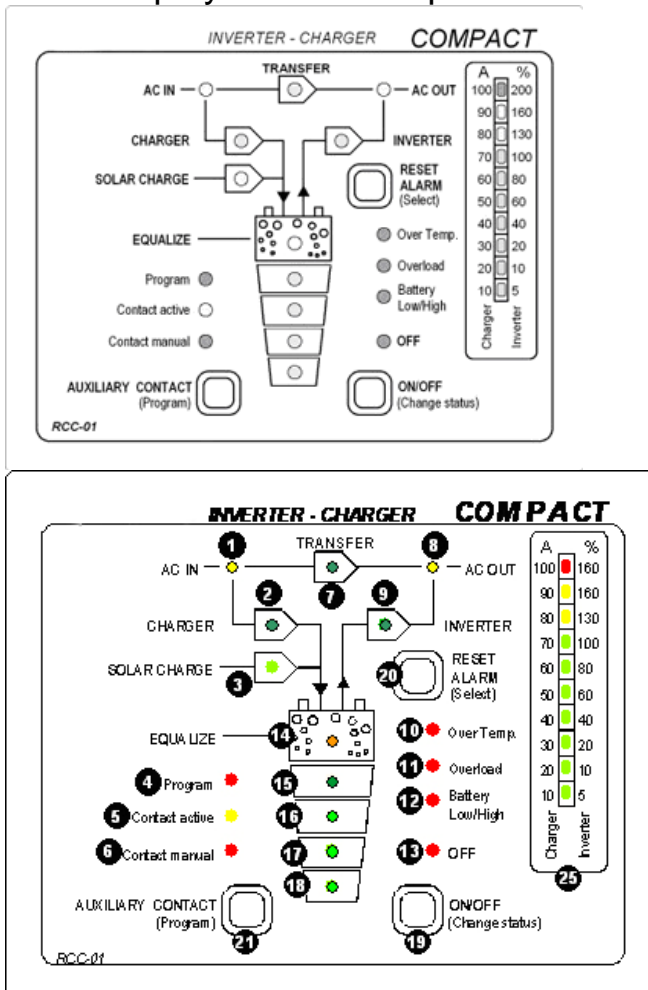
The temperature sensor CT-35 is connected in the terminal marked „Temp“ with a 3m long cable and a RJ11/6 connector. The temperature sensor can be plugged IN or plugged OUT during any operating situation. Push in the connector softly until you hear the „click“ showing that the connector is locked. The temperature sensor must be glued to the wall of the battery or near it. **The Temperature Sensor cable must not be tied together with the battery cables or laid in a rope/bundle.**

4 Control

4.1 Display and control parameters



4.2 Display and control parameters on remote control panel (optional)



4.3 Light Emitting Diodes (LED)

LED	Marking	LED lit	LED blinks
1	AC IN	Voltage corresponding to self-adjusted values is at the AC IN input.	A voltage outside the self-adjusted values is at the AC IN input, or the XP-COMPACT is in synchronization phases
2	CHARGER	Battery charger is working	The battery charger is locked OFF (see chap. 4.7) or provisory out of order. In that last case it will restart within 10 seconds
3	SOLAR CHARGE	<i>This function is not offered for the XP-Compact</i>	
4	Program	Program mode for Aux. Contact	
5	Contact active	Auxiliary Contact is activated	
6	Contact manual	Aux. Cont. manually activated	
7	TRANSFER	Transfer system is active. In-coming voltage is being sent directly to AC OUT outlet	Transfer (bypass) is disabled (see chap. 4.8)
8	AC OUT	There is a voltage at the AC OUT outlet	The Inverter is in Standby-Mode
9	INVERTER	Inverter is working	Forced Inverter Mode (see chap. 4.6)
10	Over Temp.	For the time being the XP-COMPACT is out of service because of overheating.	
11	Overload	The XP-COMPACT is out of service because of overload or short-circuit	
12	Batt. Low/High	Battery voltage is too low	Battery voltage is or was too high
13	OFF	XP-COMPACT is turned off. Turning it back on is only possible manually.	XP-COMPACT is for the time being turned off. Turning it back on will follow automatically !
14	EQUALIZE	Battery equalizing is set	
15-18		State of charge of the battery	LED 15 – Absorption time is running

25	POWER MONITOR	Display the value of the output power in % of Pnom (in Inverter Mode) and the charge current in Amps (in Charger Mode).
----	---------------	---

4.4 Push buttons

19	ON/OFF	Turning the XP-COMPACT on and off (Help Button for Programming)
20	RESET	Alarm Signal off (Help Button for Programming)
21	Aux. Contact	Control Aux. contact (Help Button for Programming)

4.5 Turning Knobs

22	CHARGER	Adjustment for max. Charging Current
23	TRANSFER	Adjustment for Transfer Voltage Threshold (TRANSFER – INVERTER)
24	STANDBY	Adjustment for „Standby“ system

4.6 The Inverter

An Inverter is built in the XP-COMPACT, which generates a sinusoidal alternating voltage of a very high quality. With this Inverter any 230Vac alternating voltage appliance up to the nominal power of your XP-COMPACT can be operated. Thanks to the generous dimensioning of the XP-COMPACT, you can operate appliances requiring higher power than the nominal power of the XP-COMPACT for a short time. The XP-COMPACT provides up to 3-times the nominal power to start motors.

The Inverter mode is displayed through LED 9 (Inverter). If the Inverter Mode is disabled (see chap. 5.5) LED 9 will blink. If the LED 9 is lit, the Inverter is in operation and you have 230Vac at the output AC OUT. The actual power of the connected appliance is displayed on the power monitor 25 and on the Remote Control.

4.6.1 Charge detection system „Standby“

In order to avoid unnecessary discharge of the battery, the inverter switches OFF automatically if no appliance is connected and switches ON automatically again if appliance is connected. The LED 8 blinks if the inverter is in Standby-Mode. The switching-on/starting level can be adjusted with the turning knob 24 „STANDBY“. Adjusting the switching-on level is as follows: Switch off all consuming devices, turn the Turning Knob 24 to the right until the LED 8 is blinking, switch on the smallest consuming device (i.e. Mobile phone charger), turn the Turning Knob **slowly** to the left until LED 8 is lit.

If the Standby-Mode is not wanted, turn the Turning Knob 24 to the left, to the OFF position.

4.6.2 Overload

If the Inverter is too long or too heavily overloaded, it switches off. The LED 11 „Overload“ is lit and LED 13 „OFF“ blinks. After ca. 10 seconds the Inverter switches on automatically. If the Inverter is overloaded four times one after another in a short time, then it no longer switches on automatically. The LED 13 remains lit. Press the push button 19 „ON/OFF“ in order to switch on the Inverter.

4.6.3 Overheating (Over Temp.)

If the Inverter has been overloaded for a long time or it has been working in too high surrounding temperatures, it will switch off. The LED 10 „Over Temp.“ is lit and the LED 13 „OFF“ blinks. After cooling down, the inverter switches back on automatically. One minute before the inverter switches off for too high temperature it gives out an acoustic alarm signal. If the Auxiliary Contact has been programmed to detect the high temperature then it synchronizes the relay with the alarm signal. In this way, for example, an emergency back- up system can be started without any break in the energy supply.

4.6.4 Battery Condition

Deep discharge of the lead-acid batteries leads to high losses in capacity and early aging. That is why the battery condition is continuously controlled and supervised. With low volt-age the inverter switches off. The LED 12 „L/H Batt.“ is lit and the LED 13 „OFF“ blinks. When the battery voltage gets up to 12.1V / 24.2V / 48.4V, the Inverter switches on automatically. One minute before the Inverter switches off due to low voltage it gives out an acoustic alarm signal. If the Auxiliary Contact has been programmed to detect the low voltage then it synchronizes the Aux. Contact with the alarm signal. In this way, for example, an emergency back up system can be started without any break in the energy supply.

The low voltage is set to 11.6V / 23.2V / 46.4V. These settings are standard for most batteries. These voltage levels are maintained by the built-in Battery-Management-System of the XP-COMPACT by matching the load and the battery condition.

This setting is comparable with the levels of 10.8V/ 21.6V / 43.2 which are given for most batteries at nominal load.

All voltage levels can be programmed. See the instructions under the section on Programming. Check with your battery supplier which voltage values should be set.

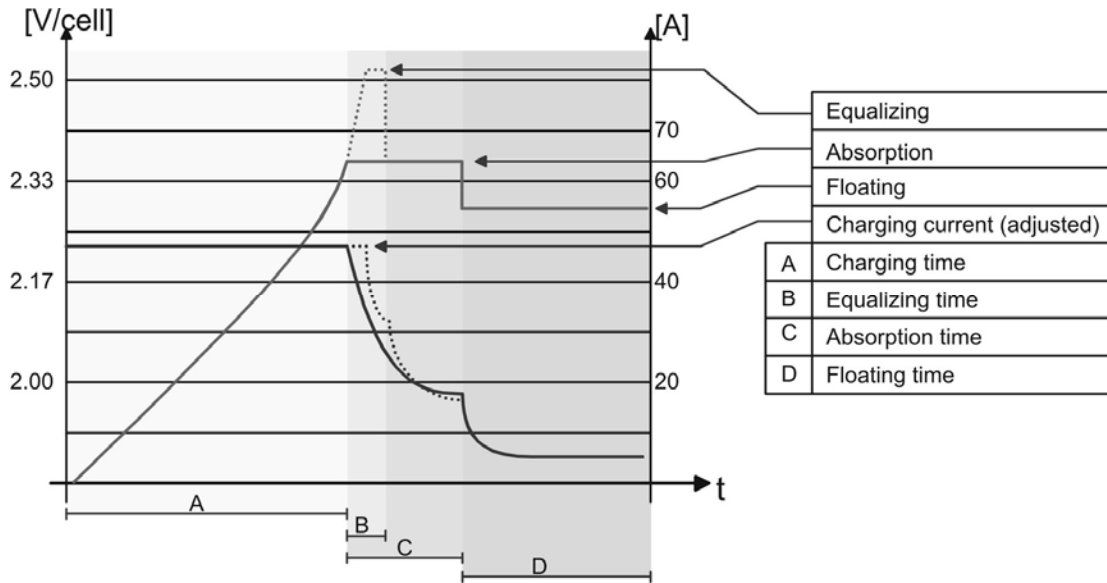
4.7 The battery charger

4.7.1 Cycle of charge

The full automatic XP-COMPACT Battery Charger is adjusted at the factory so that most lead-acid and lead-gel batteries can be charged to the maximum. As soon as the minimum alternating voltage for the AC IN set on the Turning Knob 23 is available at the input (LED 1 AC IN is lit), the Battery Charger is switched on automatically (LED 2 CHARGER is lit). The battery is fully automatically charged matching to the charge level, the adjusted volt-age levels and the charge current. Thanks to the built-in Float Charge System, the batteries can be left connected for unlimited time with the Battery Charger switched on.

During the charging phase the appliances at the outlet AC OUT are continually supplied with power (LED 8 AC OUT is lit).

The charger functions are shown in the following diagram:



4.7.2 Default values for battery voltage thresholds

Low voltage			Float charge			Absorption			Equalization			Absorption time	Equalization time
12V	24V	48V	12V	24V	48V	12V	24V	48V	12V	24V	48V	12/24/48V	12/24/48V
11.6	23.2	46.4	13.5	27.0	54.0	14.4	28.8	57.6	15.6	31.2	62.4	2h	20'

These values can be modified by mean of the optional remote control

4.7.3 Equalization charging

Before you program the XP-COMPACT for Equalization-charge you must check with your supplier that the batteries are suitable for this process.

Equalization is recommended for the lead-acid batteries in order to mix well the electrolyte fluid and to clean the lead plates.

If the XP-COMPACT is operating with a lead-acid battery, which is suitable for equalization, the slide switch „Equalize“ which is on the cable connection side, must be placed in the ON position. In this setting, every 25 charge cycles an equalization is carried out for 20 minutes (factory setting). During such a charge cycle the LED 14 is lit and during equalizing it is blinking. Charge cycle with equalization can be started independently from the actual program. For this purpose the slide switch must be slid from “OFF” to the “ON” position. The LED 14 will light up. If the periodic equalization is not required, slide switch must be slid back to the „OFF“ position after the completion of the manual cycle.

The equalizing voltage can be changed. How to proceed is explained in chap. 5.3.

Batteries not designed for equalize should never been charged this way.

CAUTION: During the equalization process, the batteries produce a lot more gas. DANGER OF AN EXPLOSION !! The battery room must be well ventilated.

Equalization mode should never be used when using Gel-Batteries.

4.7.4 Charging current

The maximum charging current for the battery can be adjusted with the Turning Knob 22 (CHARGER). The charging current of the battery should be set to approximately 10 – 20% of the battery capacity (at C10). This means that the charging current for a battery with 200Ah should be set between 20 – 40A.

The charging current is displayed on POWER MONITOR (25) of the front panel or on the Remote Control.

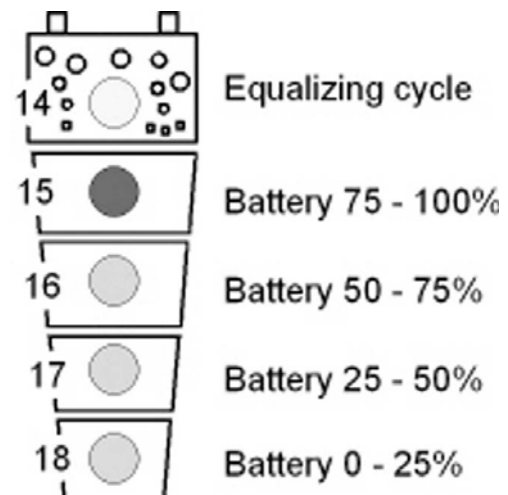
4.7.5 Battery Condition

Built-in microprocessor with a specially developed algorithm calculates the actual state of charge of the battery and displays it on LED 15 – 18. The LED 14 is lit when the system is carrying out a charge cycle with equalization.

Notice: the exact measure of the battery state of charge with electrical parameters is almost impossible. The display of the state of charge is always more or less precise. The measure system built in the XP-COMPACT takes into account the battery voltage, the discharge and charge current as well as the undulation of the voltage. If the battery and the XP-COMPACT are used according to their technical data, the battery state of charge is displayed accurately. In the following cases of use the display can diverge:

- Battery charge or discharge with too high currents
- Battery cable cross section too small
- Battery connections badly tightened or corroded
- Charge of the battery with external battery charger
- Discharge of the battery with users not connected to the XP-COMPACT
- Work with defective or sulphated batteries

This means that the display can, within few minutes during the charge, commute from 25% to 75% or during the discharge, to the opposite direction.



As many of the working cases mentioned above often occur, the measure system of the XP-COMPACT takes into account, during the charge, only the peaks of the voltage undulation. As a consequence, the battery voltage at the start of the absorption stage, measured by a voltmeter will appear deeper. By decrease of the charge current the voltage will reach the exact values.

For safety reasons, you must get the recommended charge voltage and charge currents from your battery supplier. The voltage levels and charge characteristics can be changed through Programming. The instruction for programming of battery charger is in the section „Programming“ (Chap. 5.3). The correct charging is mandatory for a safe function and a long-life of the battery.

The battery charger functions are described by the graphic in chap. 4.7.1.

4.8 The Transfer system

When an AC voltage is at the input AC IN of the XP-COMPACT, the LED 1 AC IN is lit. When this voltage matches the lowest adjusted value set by the Turning Knob 23 TRANSFER, and the frequency is between 44Hz and 65Hz, this voltage is switched directly to the battery charger and to the output AC OUT. The LED 7 TRANSFER is lit. The inverter is switched off and the battery charger switched on. This process is automatic, unless the charger mode or the transfer mode is disabled (see Chap. 5.5).

The maximum current of the Transfer switch is 16A. That means through this system, consuming devices up to a maximum of 13700 Watt can be operated. When the Battery Charger is working, part of this power is used for charging according to the power sharing system.

The Transfer system is protected against overload with a circuit breaker on the AC Input side of the XP-COMPACT. If the system has been overloaded, the button/pin of the fuse will pop out. To put the automatic safety system back in to operating you must push this pin back.

Note: in the Inverter operation, The XP-COMPACT generates a true sinusoidal and quartz stabilized output voltage. However if the XP-COMPACT is supplied from a grid or a generator and the transfer contact is active, then you have at the output AC OUT the same voltage as that at the input. This voltage can not be modified by the XP-COMPACT !

4.8.1 Set the transfer voltage threshold

The voltage threshold of the transfer can be adjusted between 150 to 230V with the turning knobs (23). From factory this value is 200V. Most appliances can work on this voltage. When the Input voltages reach the selected value on turning knob, the inverter switches off and the AC INPUT goes directly on the AC OUTPUT. When the voltage INPUT is less of 20V the value set, the transfer is stopped and the OUTPUT switches back on the inverter.

Note : Don't use the turning knobs "TRANSFER" (23) to adjust the AC OUTPUT voltage ! This is only it's only a voltage threshold level to enable or disable the transfer.

4.8.2 FAST (UPS)- MODE for the Transfer Switch

The quick and break free Transfer mode is programmed with a slide switch „Transfer De-lay“ OFF, which is on the front side (cable connections side).

The aim of the XP-COMPACT is to supply the appliance with a break-free alternating voltage. When the incoming voltage AC IN no longer matches values which have been set with the Turning Knob 23, the inverter switches on at once. The transfer is carried out in 0.02 seconds. This quick transfer ensures a break-free function for most appliances. If you have an alternating voltage back at the input AC IN, transfer system starts up again with-out any break, and the inverter is stopped.

4.8.3 Delayed mode of the Transfer System

The delayed mode of the transfer system „Transfer Delay ON“ is programmed with the slide switch (D) on front with the cable connections. The XP-COMPACT provides a break-free alternating voltage for the appliance. A quick transfer switch is not always sensitive nor is it always desired. For example. E., when the appliances are operated by a small back-up generator. An overload of a short period on such a generator, i.e. start of a vacuum cleaner etc., has the effect of decreasing the voltage for a short time. As in such cases the transfer to the Inverter is not desired, the transfer system can be programmed with a delay. When the slide switch “(Transfer delay” (D) is in the „On“ position, the transfer to the inverter takes place with a delay of 5 seconds. If the voltage falls below 100Vac, the transfer takes place without delay ! The transfer switching to the Inverter takes place without any break.

4.9 The Multifunctional Contact

In the XP-COMPACT there is a built-in programmable power relay. The potential-free change-over contact (NO – NC) of this power relay is connected to the screw terminal AUX CONTACT.

**Maximum Contact load: 230Vac / 12Vdc / 24Vdc / 16A !
> 36Vdc / 3A !**

With the Push Button 21 „AUXILIARY CONTACT“ the contact can be manually switched on or off independently from programming and from the operating situation. The LED 5 “Contact active” shows the status of the contact. The drawing up the screw terminal “AUX CONTACT” is the inactive position mode, LED 5 “Contact active” off.

The switching on and off of this contact can be freely programmed for every operating situation of the XP-COMPACT witch situation is indicated with a LED. There is no limitation to its application and it is left to your wishes as to where and how you would like to use it. The example and the setting of this contact are explained in chapter 5.4.

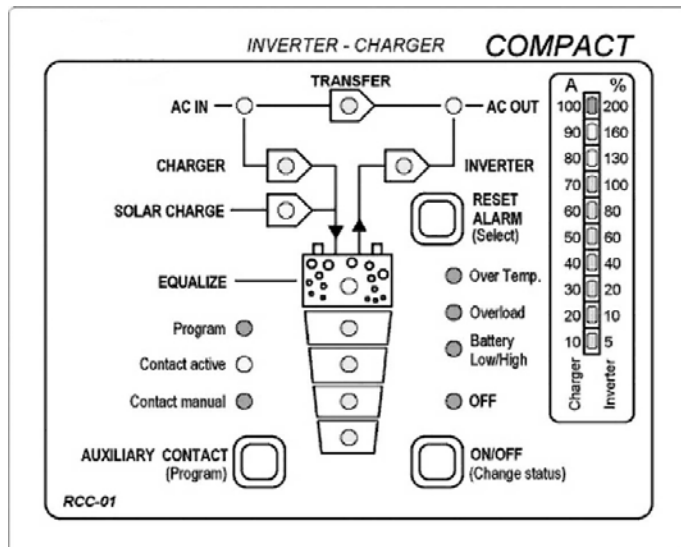
In factory we program this for a dysfunction alarm. The contact is active when one of these situations is detected:

- Over temperature (LED 10 lit)
- Overload (LED 11 lit)
- Over or less voltage of batteries (LED 12 lit or blinking)
- XP-COMPACT is turned off manually or with a fault (LED 13 lit)

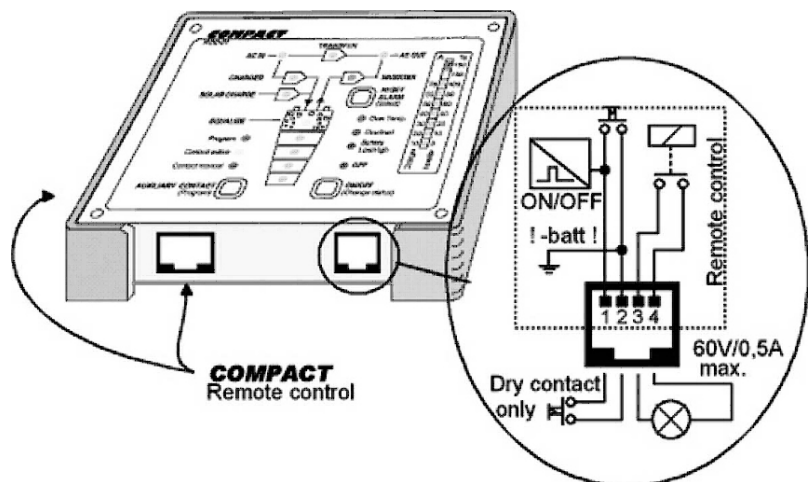
In case this function is not wished, it must be modified by programming according to procedure in chap. 5.4.

4.10 The Remote Control RCC-01

As an option, a Remote Control can be connected to the XP-COMPACT. All operating controls and displays except from level adjustment are available on the Remote Control. The Remote Control is supplied with a 20m long cable. It can as long as 40m. The Remote Control is suitable for surface mounting on the wall or on to a switch board. It is fixed with 4 screws. The XP-COMPACT can also be programmed with the Remote Control. The Programming is descry-bed in the section „Programming“.



The output power and the charging currents are displayed on the Remote Control. In the Remote Control there is an additional Alarm Contact and a built-in Control Input. These two functions are available through Tip-jack RJ11/4 for use. This Auxiliary Contact is Front / Work Contact (max. 0.5A!), which is independent from the Auxiliary Contact of the XP-COMPACT. This con-tact is active in case of an alarm of the XP-COMPACT. The Control Input is connected in parallel to the ON/OFF- push button. The XP-COMPACT can be switched on or off through this input with an impulse button or an impulse contact.



Caution: No external voltage should be connected to this Input Control.

Order Number for Remote Control: RCC-01
 Dimensions: H x B x T / 111.5 x 136.5 x 25mm

4.11 The Temperature sensor CT-35

Operating voltage of lead-acid batteries change depends on the temperature. To correct the operating voltages according to the actual temperatures, a temperature sensor can be connected to the XP-COMPACT.

The compensation through the sensor is $-3mV/^{\circ}C/Cell$.

Order Number: CT-35
 Dimensions: H x B x T / 58 x 51.5 x 22mm



5 Programming (possible only with the remote control RCC-01)

The XP-COMPACT (except for 60Hz versions) is equipped with a Flash processor fitted out with a Flash EEPROM Memory, which means that even when it is disconnected from the battery, the parameters that were programmed for the application remain after a new connection to the battery. It is possible to reinitialize (RESET) the XP-COMPACT by pressing the small black button on the left of the On/Off or by pressing simultaneously on the three push buttons 19/20/21 of the remote control during at least 2 seconds. A beep will confirm the RESET. The inverter switches off after this operation. It can be turned on again after the beep. The programmed parameters will remain.

5.1 Standard setting

The XP-COMPACT is delivered with the following default settings:

Auxiliary contact: active in case of defect or manual turn off with the LED 10/11/12/13

Battery voltage :	Low voltage	11.6V / 23.2V / 46.4V
	Float Charge	13.5V / 27.0V / 54.0V
	End of Charge Voltage	14.4V / 28.8V / 57.6V
	Equalization	15.6V / 31.2V / 62.4V

Absorption Time : 2 Hours

Equalizing Time : 20 Minutes

5.2 Reset value (default settings)

To come back to the default settings, press simultaneously on the push buttons 20/21 during at least 2 seconds. A beep will confirm the comeback to the factory settings. The inverter switches off after this operation. It can be turned on again after the beep.

5.3 Battery voltages and absorption time

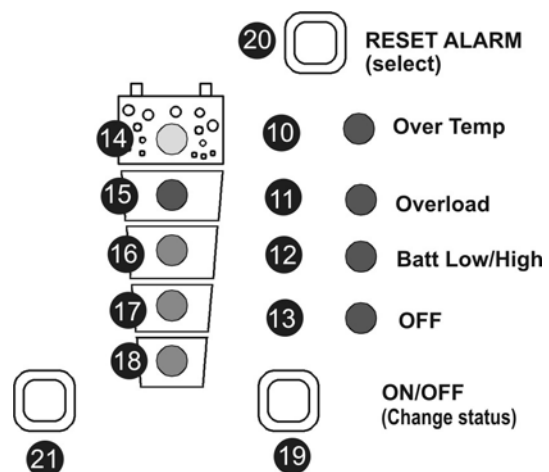
5.3.1 Set the voltage and timing threshold

The programming is done in accordance with the following steps:

Push and hold down, the Push Button 21 (Program) and the Push Button 19 (Change status) for minimum 2 seconds simultaneously.

With the Push Button 20 (select) select which of the battery level and of the absorption time have to be changed.

These four red LED's show the function set:



Low voltage	LED 13 (ON/OFF)
Float charge	LED 12 (Batt. Low/high)
Absorption (End of charge)	LED 11 (Overload)
Equalization	LED 10 (Overtemp.)
Absorption Time	LED 10/11/12/13 (altogether)

With the Push Button 19 (Change status) set the desired parameter (voltage or time) to modify (LED 14/ 15/16/17/18). Push Button 19 (Change status) to set the desired value according to the table 5.3.2.

If desired, repeat the operation with any other parameter (voltage or time) to be changed.

If during 30 seconds no buttons are pressed, the selected values are automatically stored and the XP-COMPACT switches back in to the normal operating status.

The voltage levels and times changed through programming are only first active with the next charge cycle!

The voltage level which is not suitable can greatly reduce the battery life or could even destroy it ! Therefore check beforehand with your battery supplier.

5.3.2 Table of voltage and timing threshold

The voltage levels (low voltage, float charge, end of charge and equalization) and the duration of the absorption charge can be changed.

The display of these voltages and the times in the program mode are in accordance with the diagram shown below:

LED	Low voltage			Float charge			Absorption			Equalization			Absorption time	Equali-zation time
	LED 13			LED 12			LED 11			LED 10			LED 10/11/12/13	LED 10/11
	12	24	48	12	24	48	12	24	48	12	24	48	12/24/48	12/24/48
14	12.0	24.0	48.0	13.7	27.4	54.8	16.2	32.4	64.8	16.2	32.4	64.8	4h	3h
15	11.8	23.6	47.2	13.6	27.2	54.4	15.6	31.2	62.4	15.9	31.8	63.6	3h	2h
16	11.6	23.2	46.4	13.5	27.0	54.0	15	30	60	15.6	31.2	62.4	2h	1h
17	11.4	22.8	45.6	13.4	26.8	53.6	14.4	28.8	57.6	15.3	30.6	61.2	1h	40'
18	11.2	22.4	44.8	13.3	26.6	53.2	14.2	28.4	56.8	15	30	60	0 – 1'	20'

The heavy printed values show the standard settings.

5.4 Auxiliary contact

5.4.1 Principle

The Auxiliary Contact can be basically programmed for any operating situation of the XP-COMPACT which is indicated with a LED. The programming is possible for one or more operating situations. If the contact is programmed for many situations, it is activated as soon as the XP-COMPACT finds itself in any one of the programmed situations. That means that the work of the contact meets that of the logic OR-Function.

5.4.2 The programming of the Auxiliary Contact

The programming of the Auxiliary Contact is carried out in the following Steps:

- The Push Button 21 (Program) presses down for min. 2 seconds. The LED 4 „Program“ is lit as an indication, that the XP-COMPACT is in program mode.
- A blinking LED shows the programmed condition for the auxiliary contact (LED 10/11/ 12/13 factory setting).
- With the Push Button 20 (select), select the desired condition in which the contact should be activated.
- With the Push Button 19 (Change status) confirm or change the status for this condition. If desired, with the Push Button 20 (select) select another condition in which the contact should be activated.

- With the Push Button 19 (Change status) confirm or change the status for this condition. If during 30 seconds no buttons are pushed, then the settled values are automatically stored and the XP-COMPACT switches back to normal operating condition.

5.4.3 Auxiliary Contact as generator starter

As per the battery capacity

When in the programming of the Auxiliary Contact, the Battery Capacity (LED 15-18) is used as a condition, you must then take note of the following requirements.

If you have to start an emergency back-up supply with a battery having a certain residual capacity, then two battery levels must be programmed. The first (i.e. Battery 25% LED 17) for the starting or activating the Auxiliary Contact and the second (i.e. Battery 100% LED15) for stopping or disabling the Auxiliary Contact. Programmed like this the Auxiliary Contact works with the lowest set condition and stops when it has reached the highest programmed condition through charging.

Example: start of a generator with the XP-COMPACT

In order to program the auxiliary contact to start at 25% and to stop at 75% of the battery state-of-charge, here is the procedure to follow:

- Press the key AUX. CONTACT (Program) 21 during at least 2 seconds. Then the states will be displayed blinking (factory settings LED's 10/11/12/13). As these states are not wished for the start of the generator, they must be disabled.
- With the key (select) 20, select the LED's to disable (the active LED's are blinking) and disable them with the key 19 Change Status. Select the other LED's to switch off with the key (select) 20 and switch them off with the key 19 Change Status until all are disabled.
- Then select the LED 17 with the key (select) 20 and activate the contact with the key 19 Change Status. The generator will start once the LED 17 switches of.
- Then select the LED 16 with the key (select) 20 and activate the contact with the key 19 Change Status. The generator will stop once the LED 16 switches on.
- If no key is activated during 30 seconds, the normal operation states are displayed automatically again.

For a control the key Program can be pressed at least 2 seconds. The values set are displayed blinking.

5.4.4 Power cut of the second priority loads

The auxiliary contact can also be used to cut the power of less priority loads when the battery state of charge is lower than a given threshold. In that case, only one of the battery state of charge, or the "transfer" function will be programmed as power cut criteria.

The second priority loads will be supplied only when the generator is ON or when the battery has a sufficient threshold.

5.4.5 Manual operating of Auxiliary Contact

The Auxiliary Contact can be operated at any time with the Push Button 21 (AUX. CONTACT). The LED 6 „Contact manual“ lights up as information that the Contact is manually operated, and LED 5 „Contact active“ lights up when the Contact is active. By pushing the Push Button 21 a second time, the Contact is disabled. By pushing it the third time, automatic functions are restored.

5.5 Disabling some of the XP-COMPACT functions

Each different function charger, inverter and transfer can be disabled. This is useful for specific applications witch required to disable some of these three functions.

If you press the buttons 19 and 20 more than 2 seconds you can have access to the different possibilities, shown in the following diagram.

In programming mode the display shows only the different types of program with the three LED's 2, 7 and 9 to each function. To change the type of programming, press shortly the button 20 until you reach the right function used according to the table below. After 10 seconds the XP-COMPACT exits the programming mode and loads the new change.

In user mode, the disabled functions are displayed by blinking LED. So you can see which mode is disabled.

5.5.1 Diagram of the different modes

		○	Shows an off LED
		⊗	Shows a blinking LED
		●	Shows a lighted LED
AC IN — ①		⑧	— AC OUT
CHARGER — ②		⑨	— INVERTER
All the functions are enabled. This is the factory setting.			
AC IN — ①		⑧	— AC OUT
CHARGER — ②		⑨	— INVERTER
The inverter is disabled. Only the transfer switch and the charger will work normally.			
AC IN — ①		⑧	— AC OUT
CHARGER — ②		⑨	— INVERTER
Inverter and charger are both disabled. Only the transfer switch function is enabled in input voltage and frequency is OK			
AC IN — ①		⑧	— AC OUT
CHARGER — ②		⑨	— INVERTER
Charger and transfer switch are disabled the inverter will work continuously even if there is a correct AC voltage at the input.			

6 Installation Maintenance

Apart from the periodic controls mentioned for the connections, the XP-COMPACT does need any maintenance. Keep the appliance clean and from time to time, wipe it clean with a damp cloth.

7 Declaration of CE Compliance

Hereby we state that the products described in this user manual comply with the following standards:

EN 61000-6-1, EN 61000-6-3, EN 55014, EN 55022, EN 61000-3-2, Dir. 89/336/EEC, LVD 73/23/EEC, EN 50091-2, EN 60950-1.

CH - 1950 Sion, the 1st of March 2003

STUDER INNOTECH (R. Studer)



8 Technical Data

Inverter XPC	1400-12	2200-24	2200-48
Inverter			
Nominal input voltage (V)	12	24	48
Input voltage range (V)	9.5 - 16	19 - 32	38-64
Maximum input voltage (V)	24	44	64
Output voltage	230 V +0 / -10 % (pure sine wave)		
Output frequency	50 Hz +/- 0.05 %		
Continuous power (VA) / 25 °C	1100	1600	1600
Max. power 30 min. (VA) / 25 °C	1400	2200	2200
Max. power 5 sec. (VA) / 25 °C	3300	4800	4800
Max. asymmetrical load (VA)	1100	1600	1600
Maximum efficiency (%)	94	95	95
Consumption Stand-by (W)	0.6	0.9	1.3
Consumption ON @ no load (W)	4	7	7
Distortion THD (resistive load)	< 4 %	< 2 %	
Continuous cos phi	0.1 - 1		
Load detection (Stand-by)	Adjustable: 1 - 25 W		
Dynamic behavior	Load step 0 % --> 100 %: settling time 0.5 ms		
Battery charger (4 step) I-U-Uo-Equalize (every 25 cycles)			
Charging current, adjustable (A)	0 - 45	0 - 37	0 - 20
Maximum input voltage	265 VAC		
Minimum input voltage	Adjustable from 150 to 230 VAC		
Input frequency range	45 - 65 Hz		
Power factor correction, PFC	Yes, according to EN61000-3-2		
Battery monitoring			
Values adjustable by user	Yes, via optional remote control RCC-01		
Absorption time	0 - 4 h		
High voltage disconnect, HVD (V)	14.4	28.8	57.6
Floating voltage (V)	13.6	27.2	54.4
Equalisation voltage, every 25 cycles (V)	15.6	31.2	62.4
Low voltage disconnect, LVD (V)	10.8	21.6	43.2
General data			
Acoustic warning	Before battery low or overheating disconnection		
Overload and short circuit protection	Automatic disconnection with 3 times restart attempt		
Reverse polarity protection	Protected by internal fuse		
Overheating protection	Shut down @ 75 °C cooling element temperature automatic restart @ 60 °C		
Multifunction contact - potential free	16 A - 250 VAC		
Max. current / power on transfer system	16 A / 3.7 kVA		
Transfer time	< 20 ms		
Cable length Battery	165 cm		
Noise level	Without fan: < 10 dB / with fan: < 35 dB (fan turns on @ 45 °C heat sink temp.)		
Operating temperature	-20 °C to +55 °C		
Protection class	IP20 / with optional top cover: IP23		
Recommended battery capacity (Ah)	> 5 x Pnom/Unom		
Options	Remote control RCC-01, IP23 top cover, temperature sensor CT-35, 115 V / 60 Hz type on request		
Weight (kg)	11.7	12.6	12.6
Dimensions l x 215 x 124 (mm)	410	410	410

1	Allgemeine Informationen	29
1.1	Zu dieser Bedienungsanleitung	29
1.2	Qualität und Garantie	29
1.3	Garantieausschluss	29
1.4	Haftungsausschluss	30
1.5	Warnungen	30
1.6	Besondere Schutzmassnahmen	31
2	Einführung	32
2.1	Prinzip Schema	32
2.2	Beschreibung der Hauptfunktionen	32
2.3	Batterie Verschaltungen	33
3	Montage und Installation	35
3.1	Ort der Montage	35
3.2	Befestigung	35
3.3	Anschluss	35
3.4	Anschlussplan / Frontseite	37
3.5	Verdrahtung	38
3.6	Voreinstellungen	38
4	Bedienung	40
4.1	Anzeigen und Bedienelemente	40
4.2	Anzeigen und Bedienelemente für der Fernsteuerung (Remote control)	41
4.4	Tasten	43
4.5	Drehknöpfe	43
4.6	Der Wechselrichter	44
4.7	Der Batterielader	45
4.8	Der Umschaltautomat (Transferschalter)	47
4.9	Der Multifunktionskontakt	48
4.10	Die Fernsteuerung RCC-01	49
4.11	Die Temperatursonde CT-35	50
5	Programmierung (nur mit Fernsteuerung RCC-01 möglich)	50
5.1	Standardeinstellungen	50
5.2	Zurücksetzen der Programmierung (Standardeinstellung)	50
5.3	Batteriespannungen und Absorptionsdauer	51
5.4	Hilfskontakt	52
5.5	Sperren von Funktionen	54
6	Wartung	55
7	Konformitätserklärung CE	55
8	Technische Daten	56

1 Allgemeine Informationen

1.1 Zu dieser Bedienungsanleitung

Diese Anleitung ist ein fester Lieferbestandteil jedes Kombiwechselrichters XP-COMPACT. Sie dient als Richtlinie für den sicheren und effizienten Betrieb des XP-COMPACT. Die Anleitung ist nur gültig für die folgenden Geräte und Optionen:

XP-COMPACT XPC 1400-12

XP-COMPACT XPC 2200-24

XP-COMPACT XPC 2200-24

Temperatursonde CT-35

AC-Kabeleinführung CFC-01

Fernsteuerung RCC-01

IP-23 Abdeckung C-IP23

Solarladeregler XPC xxxx-xx-S

Jede Person, die einen XP-COMPACT installiert und/oder mit einem XP-COMPACT arbeitet, muss vollständig mit dem Inhalt dieser Anleitung vertraut sein und strikt alle Warn- und Sicherheitshinweise befolgen. Die Installation des XP-COMPACT und Arbeiten daran müssen von qualifiziertem und dafür ausgebildetem Personal ausgeführt werden. Installation und Anwendung müssen in jedem Fall den jeweiligen örtlichen Installations- und Sicherheitsvorschriften entsprechen.

1.2 Qualität und Garantie

Während der Produktion und der Montage der XP-COMPACT durchlaufen sämtliche Geräte mehrere Kontrollen und Tests. Fabrikation, Kontrollen und Tests erfolgen gemäss genau festgelegten Protokollen. Jeder XP-COMPACT hat seine eigene Seriennummer, welche dazu dient bei eventuellen Kontrollen oder Reparaturen auf die genauen Gerätedaten zurückzugreifen. Entfernen Sie darum nie das Typenschild mit der Seriennummer. Die Garantie für dieses Gerät gilt für die in dieser Betriebsanleitung aufgeführten Anwendungen und Betriebsfälle.

Die Garantiedauer für die XP-COMPACT beträgt 2 Jahre.

1.3 Garantieausschluss

Für Schäden, welche durch Anwendungen, Manipulationen, Betriebsfälle und Behandlungen entstehen, welche nicht ausdrücklich in dieser Betriebsanleitung aufgeführt sind, können keine Garantieleistungen gewährt werden.

Nachfolgend eine Liste von Fällen für welche explizit keine Garantie gewährt wird.

- Überspannungen an den Eingängen (z.B. 48V am Batterieeingang des XP-COMPACT 1400-12)
- Verpolung bei Batterieanschluss(+/- vertauscht)
- In das Gerät eingelaufene Flüssigkeiten oder Oxydation durch Kondensation
- Defekte durch mechanische Einflüsse
- Nicht ausdrücklich von Steca Elektronik GmbH autorisierte Änderungen
- Nicht oder nur teilweise festgezogene Schrauben und Muttern nach Wechseln von Sicherungen oder Anschlusskabeln.
- Transportschäden, z.B. durch unsachgemässe Behandlung oder Verpackung
- Schäden durch atmosphärische Überspannungen (Blitzschlag)

1.4 Haftungsausschluss

Die Einhaltung dieser Betriebsanleitung und der Bedingungen und Methoden der Installation, dem Betrieb, der Verwendung und der Wartung dieses Gerätes können von der Firma Steca Elektronik GmbH nicht kontrolliert oder überwacht werden. Daher übernehmen wir keinerlei Haftung und Verantwortung für Schäden, Verluste und Kosten, die aus dem Betrieb dieses Gerätes entstehen oder die aus fehlerhafter Installation, unsachgemäßem Betrieb oder falscher Verwendung und Wartung entstehen oder in irgendwelcher Art und Weise damit zusammenhängen. Ebenso übernehmen wir keine Verantwortung für patentrechtliche Verletzungen oder Verletzung anderer Rechte Dritter, die aus der Verwendung dieses Gerätes entstehen.

Der Einsatz und Betrieb von Geräten von Steca obliegt in jedem Fall der Verantwortung des Kunden.

Die in dieser Beschreibung erwähnten Geräte sind nicht für den Betrieb von lebenserhaltenden Systemen einzusetzen.

Die Firma Steca Elektronik GmbH behält sich das Recht vor, Änderungen der technischen Daten dieses Gerätes oder dieser Betriebsanleitung ohne vorherige Mitteilung oder Ankündigung vorzunehmen.

1.5 Warnungen

Diese Betriebsanleitung muss so aufbewahrt werden, dass sie den Benutzern jederzeit zur Verfügung steht. Die Benutzer müssen mit den Warn- und Sicherheitsangaben vertraut sein.

Beim Betrieb des XP-COMPACT treten an dessen Anschlüssen und im Geräteinnern lebensgefährliche Spannungen auf. Arbeiten am Gerät und an der Installation dürfen nur von entsprechend ausgebildeten und dafür geschulten Personen ausgeführt werden.

Die gesamte mit dem XP-COMPACT zusammenhängende Installation muss in jedem Fall den jeweiligen gültigen Vorschriften entsprechen.

Nicht von Steca Elektronik GmbH schriftlich autorisierten Personen ist es ausdrücklich untersagt, Änderungen oder Reparaturen am Gerät auszuführen. Für autorisierte Änderungen dürfen nur Originalteile verwendet werden.

Der XP-COMPACT darf nur dann betrieben werden, wenn er gemäss dieser Anweisung installiert ist und wenn sämtliche Teile richtig montiert sind.

An den Ein- und Ausgängen der Geräte dürfen nur die dafür vorgesehenen Energiequellen oder Verbraucher angeschlossen werden.

Um an einem XP-COMPACT gefahrlos Unterhalt oder Reparaturen auszuführen, müssen sämtliche Anschlüsse vorher abgetrennt werden.

Vorsicht: Auch wenn ein XP-COMPACT von sämtlichen Anschlüssen getrennt wurde, können an dessen Ausgang noch lebensgefährliche Spannungen anliegen. Um dies zu vermeiden, muss der XP-COMPACT mit der ON/OFF-Taste eingeschaltet werden. Nach einer Minute ist die Elektronik entladen und die jeweiligen Arbeiten können gefahrlos ausgeführt werden.

Der XP-COMPACT ist nur für Innenmontage geeignet und darf auf keinen Fall Schnee, Regen oder sonstigen Flüssigkeiten ausgesetzt werden. Bei Montage in Fahrzeugen muss darauf geachtet werden, dass er vor Spritzwasser geschützt ist.

An einen XP-COMPACT dürfen nur Blei-Säure- oder Blei-Gel- Batterien angeschlossen werden.

Vorsicht: Blei- Säure- Batterien sowie auch Blei- Gel- Batterien erzeugen im normalen Betrieb ein hoch explosives Gas. In der Nähe von Batterien dürfen

weder Feuer entfacht noch Funken erzeugt werden. Die Batterien müssen in einem gut belüfteten Raum untergebracht sein, und sie müssen so untergebracht sein, dass aus Unachtsamkeit keine Kurzschlüsse auf deren Anschlüssen entstehen können.

Versuchen Sie nie gefrorene Batterien zu laden.

Ein XP-COMPACT darf nicht für lebenserhaltende Anlagen oder Applikationen verkauft oder in solchen Anlagen eingesetzt werden.

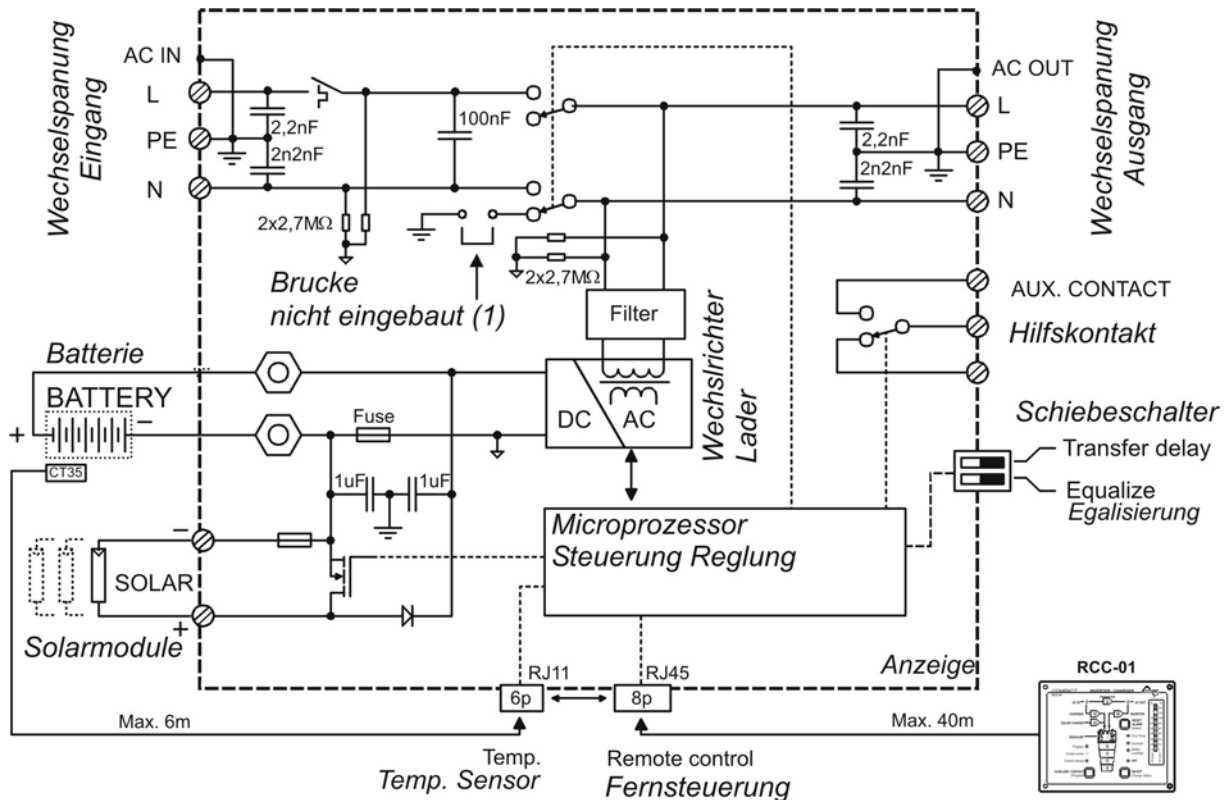
1.6 Besondere Schutzmassnahmen

- Bei Arbeiten an Batterien muss für eventuelle Hilfeleistung immer eine 2. Person in Rufnähe sein.
- Genügend frisches Wasser und Seife muss in der Nähe bereitgestellt werden, damit bei Kontakt der Säure mit Kleidern Haut oder Augen die entsprechenden Stellen sofort gut gewaschen werden können.
- Bei Säurekontakt mit den Augen müssen diese mindestens während 15 Minuten mit kaltem Wasser gründlich gespült werden. Es empfiehlt sich, danach sofort einen Arzt aufzusuchen.
- Mit Backpulver kann Batteriesäure neutralisiert werden. Halten Sie darum immer eine Handvoll davon bereit.
- Bei Arbeiten mit metallischen Werkzeugen in der Nähe oder an den Batterien ist besondere Vorsicht geboten. Mit Werkzeugen wie Schraubenzieher, Schraubenschlüssel usw. können Kurzschlüsse verursacht werden. Dabei entstehende Funken können eine Explosion verursachen.
- Bei Arbeiten an Batterien müssen auch alle persönlichen Metallteile wie Ringe, Hals- und Armbänder, Uhren usw. abgelegt werden. Batterien sind so stark, dass bei Kurzschlüssen mit solchen Gegenständen diese sofort zum Schmelzen gebracht werden und somit schwere Brandwunden entstehen können.
- Halten Sie sich an die Vorschriften des Batteriefabrikanten.
- Unter bestimmten Bedingungen kann der XP-COMPACT oder ein angeschlossener Generator automatisch starten. Bei Arbeiten an der elektrischen Installation muss darum sichergestellt sein, dass diese Geräte vorher von der Installation getrennt wurden.

2 Einführung

Der XP-COMPACT ist ein Sinuswechselrichter mit integriertem Batterielader mit vielen Zusatzfunktionen der für den Einsatz als netzunabhängiges Wechselstromversorgungssystem oder als unterbrechungsfreie Stromversorgung entwickelt wurde.

2.1 Prinzip Schema



Bemerkung :

(1) **Der Neutraleiter "N" des XP-COMPACT ist in keiner Funktionsart mit dem Erdleiter "PE" verbunden.** Falls nötig und wenn es die jeweiligen gültigen Vorschriften verlangen kann die automatische Zuschaltung der Erde mit dem Neutraleiter mit dem Einbringen einer Brücke im Geräteinnern realisiert werden. Klären Sie eine eventuelle Änderung mit dem Installateur.

(2) Fernbedienung für das Einstellen des maximalen Eingangsstroms (siehe Abschnitt 4.6.3)

2.2 Beschreibung der Hauptfunktionen

2.2.1 Der Wechselrichter

Der im XP-COMPACT eingebaute Sinuswechselrichter erzeugt eine äusserst präzise spannungs- und frequenzstabile, sinusförmige Wechselspannung. Um auch grosse Lasten wie Elektromotoren usw. starten zu können, steht dem Verbraucher eine kurzzeitige Startleistung grösser als die Nominalleistung des XP-COMPACT zur Verfügung.

Der Wechselrichter ist gegen Überlast, Übertemperatur und Kurzschluss geschützt. Ein Leistungsteil mit modernsten Power-MOS-FET Transistoren, ein Ringkerntransformator und ein schnelles Regelsystem bilden einen robusten und zuverlässigen Wechselrichter mit höchstem Wirkungsgrad. Eine von 1 – 20 Watt

einstellbare Standby- oder Lasterkennungsschaltung sorgt für kleinsten Energieverbrauch und möglichst lange Lebensdauer der Batterie.

2.2.2 Der Transferschalter

Der XP-COMPACT kann an eine Wechselstromquelle angeschlossen werden. Zum Beispiel an Notstromgeneratoren oder ans öffentliche Netz. Über den Transferschalter steht einerseits diese Wechselspannung am Ausgang für die angeschlossenen Verbraucher zur Verfügung. Andererseits werden damit die Batterien geladen. Die Energieaufteilung zwischen Verbraucher und Batterielader erfolgt automatisch.

2.2.3 Der Batterielader

Der eingebaute Batterielader ist so ausgelegt, dass er die Batterien möglichst schnell und voll-ständig laden kann. Ein mikroprozessorgesteuerter, 3- resp. 4- stufiger Ladeprozess sorgt für eine optimale Ladung der Batterien. Der gewünschte Ladestrom kann von 0 – 20/37/45A (je nach Model) stufenlos eingestellt werden. Der Batterielader ist für Blei- Säure- und Blei- Gel- Batterien ausgelegt. Dank einem geregelten Schwebeladungssystem (Ladeerhaltung) kann die Batterie ununterbrochen angeschlossen bleiben.

Die Einstellung muss entsprechend den Batteriekapazitäten und der zu ladenden Energiequelle vorgenommen werden.

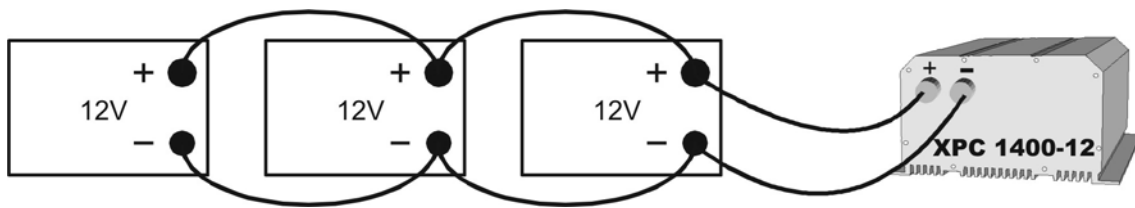
2.2.4 Die Fernsteuerung (Remote control)

Als Option kann eine Fernsteuerung am XP-COMPACT angeschlossen werden. Alle Bedienungselemente und Anzeigen mit Ausnahme der Pegelinstellungen sind auf dieser Fernsteuerung vorhanden. Die Fernsteuerung ist mit einem 20m langen Kabel versehen. Dieses Kabel kann bis auf 40m verlängert werden.

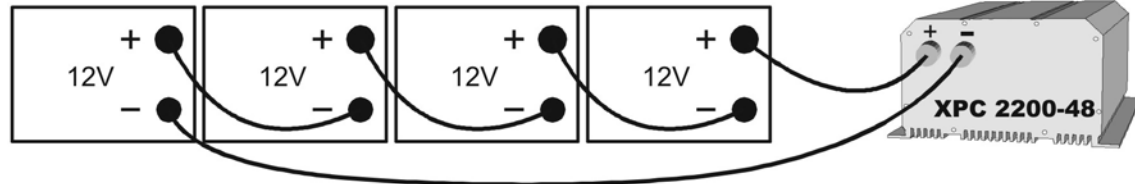
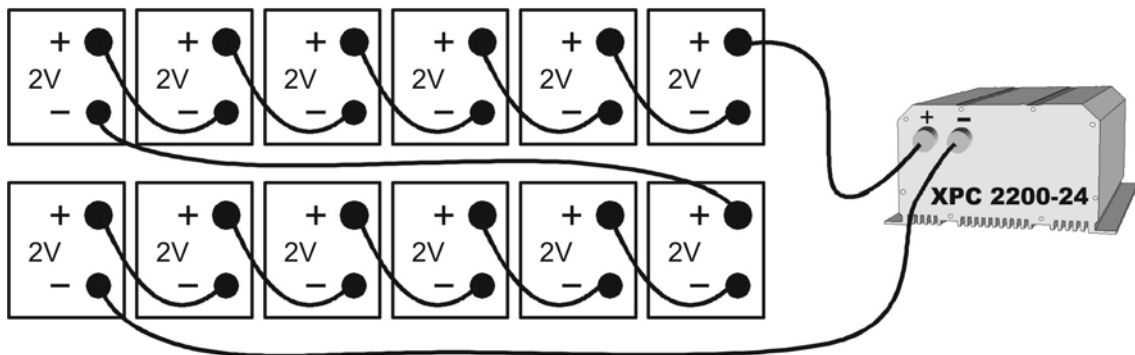
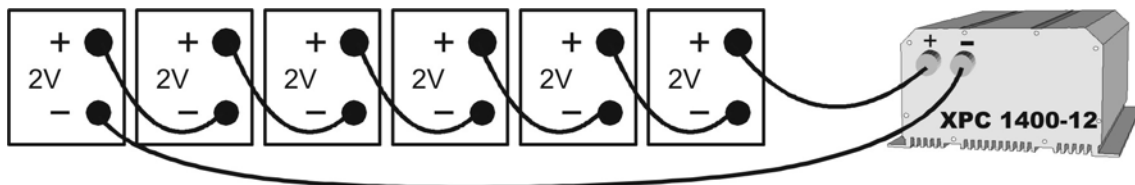
2.3 Batterie Verschaltungen

Blei- Säure- Batterien stehen normalerweise als Blöcke für 2V, 6V oder 12V zur Verfügung. Um die benötigte Betriebsspannung und Kapazität der Batterien für den Betrieb des XP-COMPACT zu erzeugen, müssen in den meisten Fällen mehrere Batterien parallel und oder in Serie geschaltet werden. Nachfolgend sind einige Beispiele aufgeführt.

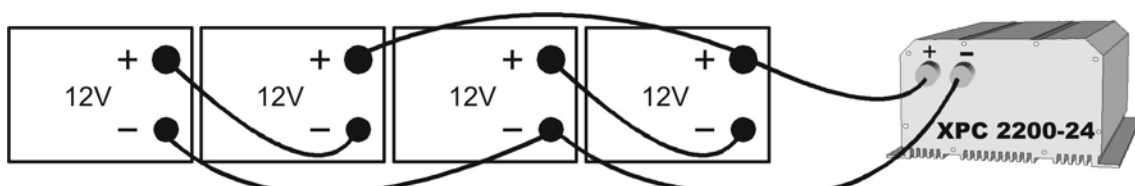
2.3.1 Parallelschaltung



2.3.2 Serieschaltung



2.3.3 Parallel- Serieschaltung



3 Montage und Installation

3.1 Ort der Montage

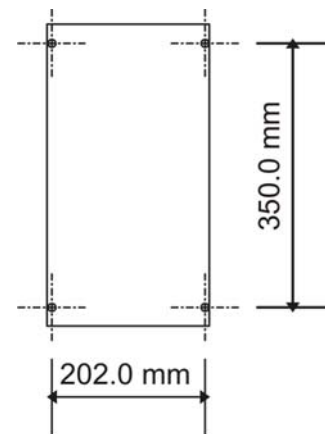
Der Standort des XP-COMPACT muss nach folgenden Kriterien ausgewählt werden:

- Geschützt vor unbefugtem Zugriff
- Trockener, staubfreier Raum, keine Kondensation
- Nie direkt über der Batterie montieren und auch nie in einem Schrank zusammen mit der Batterie
- Belüftungslöcher freihalten. Bei mobilem Einsatz muss darauf geachtet werden, dass die Vibrationen möglichst klein sind.

3.2 Befestigung

3.2.1 Befestigung des XP-COMPACT'S

Grundsätzlich kann der XP-COMPACT in jeder beliebigen Lage montiert werden. Vorzugsweise ist das Gerät aber für Wandmontage mit den Batteriekabeln nach unten zu montieren. Der XP-COMPACT wird mit vier Schrauben durch die vier von aussen zugänglichen Löcher (Durchm. 5.5mm) an einer Wand befestigt. In Fahrzeugen sollte der XP-COMPACT auf vibrationsdämpfenden Elementen befestigt werden. Der XP-COMPACT darf nicht auf eine brennbare Unterlage montiert werden, da die Gehäuserückseite bis 80 Grad Celsius heiss werden kann.



3.2.2 Schutzabdeckung IP23 (Option)

Die Schutzabdeckung IP23 (Best. Nr. C-IP23) wird auf der Oberseite des XP-COMPACT montiert. Am einfachsten erfolgt die Montage nachdem der XP-COMPACT an der Wand befestigt wurde. Die 4 Befestigungsschrauben des XP-COMPACT leicht lösen. Die oberen beiden Schrauben soweit lösen, dass die Abdeckung mit der Seite mit den U-förmigen Ausschnitten zwischen Wand und XP-COMPACT eingeschoben werden kann bis sie auf den Schrauben ansteht. Danach die 4 Befestigungsschrauben gut festziehen.



3.3 Anschluss

3.3.1 Allgemeine Hinweise zum Anschluss:

- Der Kabelanschluss auf den Klemmen AC INPUT / AC OUTPUT / 16A 230VAC erfolgt mit einem Schraubenzieher Nr.1 und der Anschluss auf den Klemmen SOLAR mit einem Schraubenzieher Nr.2.
- Der Leiterquerschnitt der auf den Klemmen AC INPUT / AC OUTPUT / 16A 230VAC anzuschliessenden Kabel muss mind. 2.5mm² betragen.
- Sämtliche Anschlusskabel, auch die Batteriekabel, müssen mit einer Zugentlastung montiert werden.
- Die Batteriekabel dürfen grundsätzlich nicht verlängert werden. Ist eine Verlängerung unumgänglich, muss der Leiterquerschnitt entsprechend erhöht werden.

- **Um die Batteriekabel zu schützen, muss direkt auf der Batterie eine dem Leiterquerschnitt entsprechende Sicherung montiert werden.**
- Sämtliche Kabel müssen gut festgeschraubt sein. Zur Sicherheit empfehlen wir eine jährliche Kontrolle. Bei mobilen Anlagen sollten die Anschlüsse öfter kontrolliert werden.
- Der Anschluss muss von ausgebildeten Fachleuten ausgeführt werden. Das für die Installation verwendete Material wie Kabel, Steck- und Verteildosen, Sicherungen usw. muss den jeweils gültigen Installationsvorschriften für Niederspannungsanlagen entsprechen.

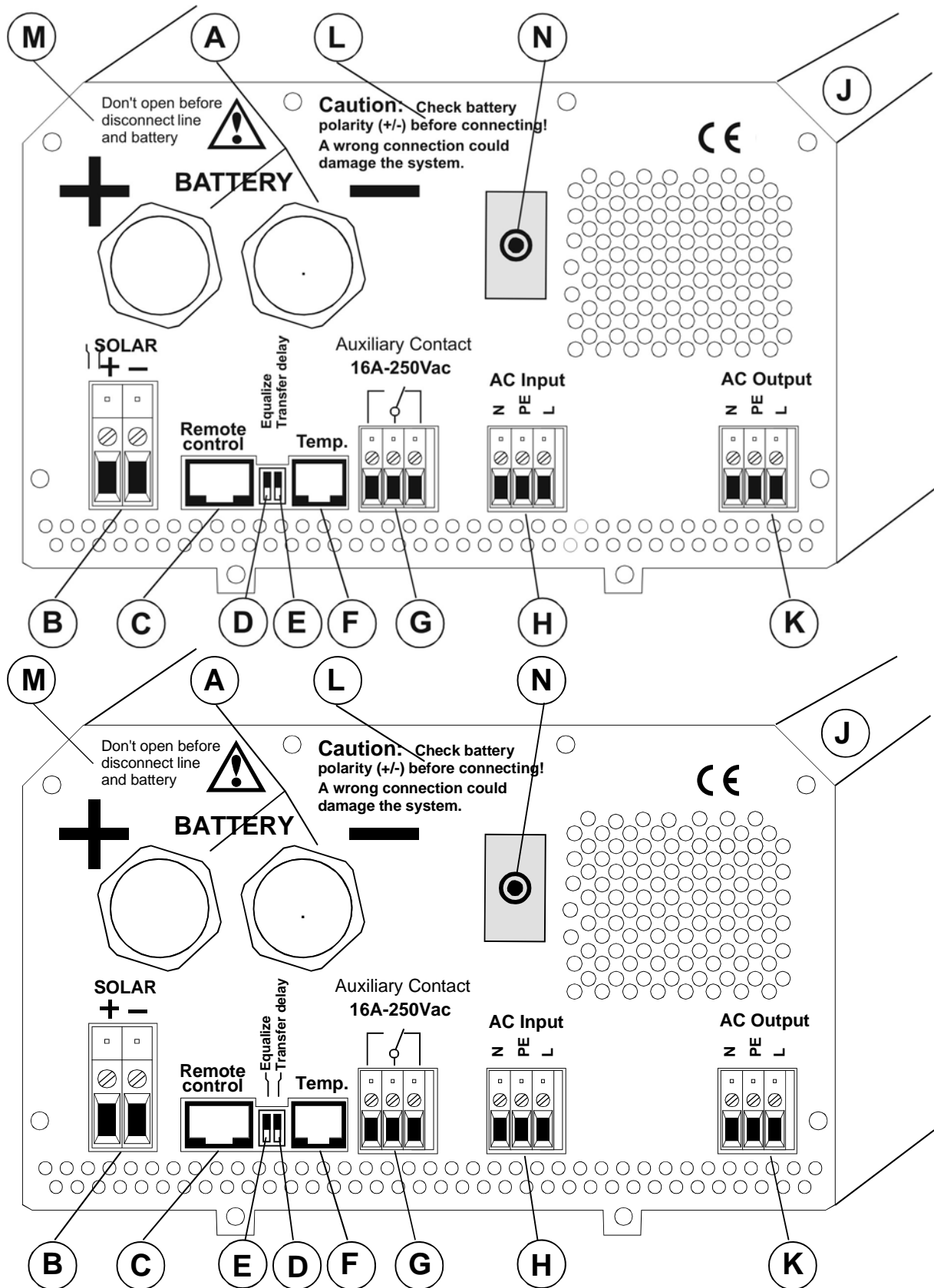
Der XP-COMPACT wird mit bereits angeschlossenen Batteriekabeln geliefert.

3.3.2 Kabeleinführung mit Stopfbuchsen (Option CFC-01)

Eine Schutzabdeckung mit Zugentlastung für die Kabel kann als Option CFC-01 angebracht werden. Diese Abdeckung wird mit 2 Schrauben befestigt und erlaubt die korrekte Zugentlastung der Anschlusskabel.



3.4 Anschlussplan / Frontseite



A	Battery +/- Batteriekabel (bereits montiert)
B SOLAR +/-	Anschlussklemmen für Solarmodule, <i>Funktion wird nicht angeboten</i>
C Remote contr.	Steckanschluss für Fernsteuerung RCC-01
D Transfer delay	Schiebeschalter für Transferverzögerung Equalize
E Equalize	Schiebeschalter für Egalisierung der Batterie
F Temp.	Steckanschluss für Temperatursonde CT-35
G Aux. Contact	Anschlussklemmen für den Hilfskontakt
H AC Input	Anschlussklemmen für Wechsellspannungseingang. Direkt über diesen Klemmen liegt der dazugehörige Sicherungsautomat.
J Typ...	Typenschild mit Leistungsdaten und Seriennummer
K AC Output	Anschlussklemmen für Wechsellspannungsausgang
L Caution...	Vorsicht: Vor dem Anschliessen der Batterie unbedingt Polarität (+/-) kontrollieren! Falschanschluss kann den XP-COMPACT beschädigen
M Don't...	Nicht öffnen bevor sämtliche Anschlüsse entfernt wurden
N 16A Schutzsch.	16A Schutzschalter für das Transfersystem

3.5 Verdrahtung

Der Anschluss des Kombigerätes XP-COMPACT ist eine wichtige Etappe bei der Installation. Achten Sie darauf gut darauf, dass die Anschlussarbeiten sauber und korrekt ausgeführt werden und dass auf keinen Fall die Anschlussdrähte auf falsche Klemmen geführt werden.

Der Anschluss des XP-COMPACT muss in folgender Reihenfolge ausgeführt werden. Bei einer eventuellen Demontage ist die umgekehrte Reihenfolge einzuhalten.

3.6 Voreinstellungen

Bevor Sie mit der Verdrahtung des XP-COMPACT beginnen, muss der verwendete Batterietyp eingestellt werden. Falls Gel-Batterien verwendet werden, muss der kleine Schiebeschalter „E-equalize“(E) in die Position OFF (Schiebeschalter nach unten) gebracht werden. Falls „normale“ Blei – Säure – Batterien verwendet werden und diese eine erhöhte Ausgleichladung vertragen, kann der Schiebeschalter „Equalize“ in die Position ON gebracht werden. Mit dieser Einstellung wird bei jedem 25. Zyklus automatisch eine Ausgleichladung ausgeführt. Im Zweifelsfalle muss der Schiebeschalter auf der Stellung OFF belassen werden.

3.6.1 Anschluss der Batterie

Bereiten Sie die Batterien für den Anschluss vor: Passende Batterieklemmen, entsprechende Sicherung auf einer Klemme. Batteriekabel vorbereiten, wenn nötig Kabelschuhe aufpressen. Das rote Kabel auf dem Plus(+)-Pol und das schwarze Kabel auf dem Minus(-)-Pol befestigen. Beim Kontakt mit dem Batteriepol beim Anschluss des zweiten Kabels entsteht ein Funke, weil kurzzeitig ein hoher Strom in den XP-COMPACT fließt (die Kondensatoren werden geladen). Befolgen Sie darum strikt die in dieser Beschreibung empfohlenen Schutzmassnahmen. Kontrollieren Sie, ob die rote Leuchtdiode OFF (13) leuchtet. Wenn dies nicht der Fall ist, drücken Sie bitte kurz die Taste ON/OFF (19), darauf muss OFF leuchten.

Beim Anschluss der Batterie benötigt der XP-COMPACT 1 – 2 Minuten um die jeweilige Batteriekapazität zu berechnen. Während dieser Zeit wird der Batteriezustand als 100% geladen angezeigt (LED 15 – 18 leuchten).

Leuchtet die LED 12 Battery Low/High, ist die Batteriespannung zu tief. Blinkt die LED 12 Battery Low/High, ist die Batteriespannung zu hoch. Vorsicht: Bei zu hoher Batteriespannung kann der XP-COMPACT zerstört werden. (Zum Beispiel bei Anschluss eines XPC 1400-12 an eine 48V-Batterie).

Wurde der XP-COMPACT trotzdem mit falscher Polarität angeschlossen, ist mit grösster Wahrscheinlichkeit die Sicherung defekt. Die Sicherung befindet sich im Geräteinnern. Bevor der Gehäusedeckel geöffnet wird, müssen sämtliche Anschlüsse entfernt werden; auch die Batterie muss abgeklemmt werden. Arbeitet der XP-COMPACT nach dem Auswechseln der Sicherung und der Richtigstellung der Polarität nicht, ist das Gerät defekt und muss zur Reparatur gesandt werden.

3.6.2 Anschluss der 230Vac-Verbraucher (AC OUT)

Die 230V Verbraucher müssen auf den Schraubklemmen AC OUT angeschlossen werden. Verwenden Sie dazu ein 3-adriges Kabel mit einem entsprechenden Leiterquerschnitt. Die Anschlüsse sind wie folgt gekennzeichnet: „N“ Nulleiter, „PE“ Erde(mit dem Gehäuse verbunden), „L“ Phase.

Vorsicht: Auf diesen Klemmen liegt eine lebensgefährliche Spannung von 230V an. Vor jeglicher Manipulation muss der XP-COMPACT ausgeschaltet sein (LED 13 leuchtet).

3.6.3 Anschluss des 230Vac Eingangs (AC IN)

Die 230V-Speisung vom Netz oder von einem Generator muss auf den Schraubklemmen AC IN angeschlossen werden. Verwenden Sie dazu ein 3-adriges Kabel mit einem entsprechenden Leiterquerschnitt. Die Anschlüsse sind wie folgt gekennzeichnet: „N“ Nulleiter, „PE“ Erde(mit dem Gehäuse verbunden), „L“ Phase.

3.6.4 Anschluss des Hilfskontaktes

Dieser Kontakt ist ein potentialfreier Wechselkontakt. Die zugelassenen Spannungen und Ströme für diesen Kontakt sind in den technischen Daten festgelegt. Die Kontaktdarstellung auf der Anschlussfront ist in Ruhestellung (nicht aktiv) des Relais gezeichnet (LED 5 „Contact active“ gelöscht).

3.6.5 Anschluss der Fernsteuerung (Remote control RCC-01)

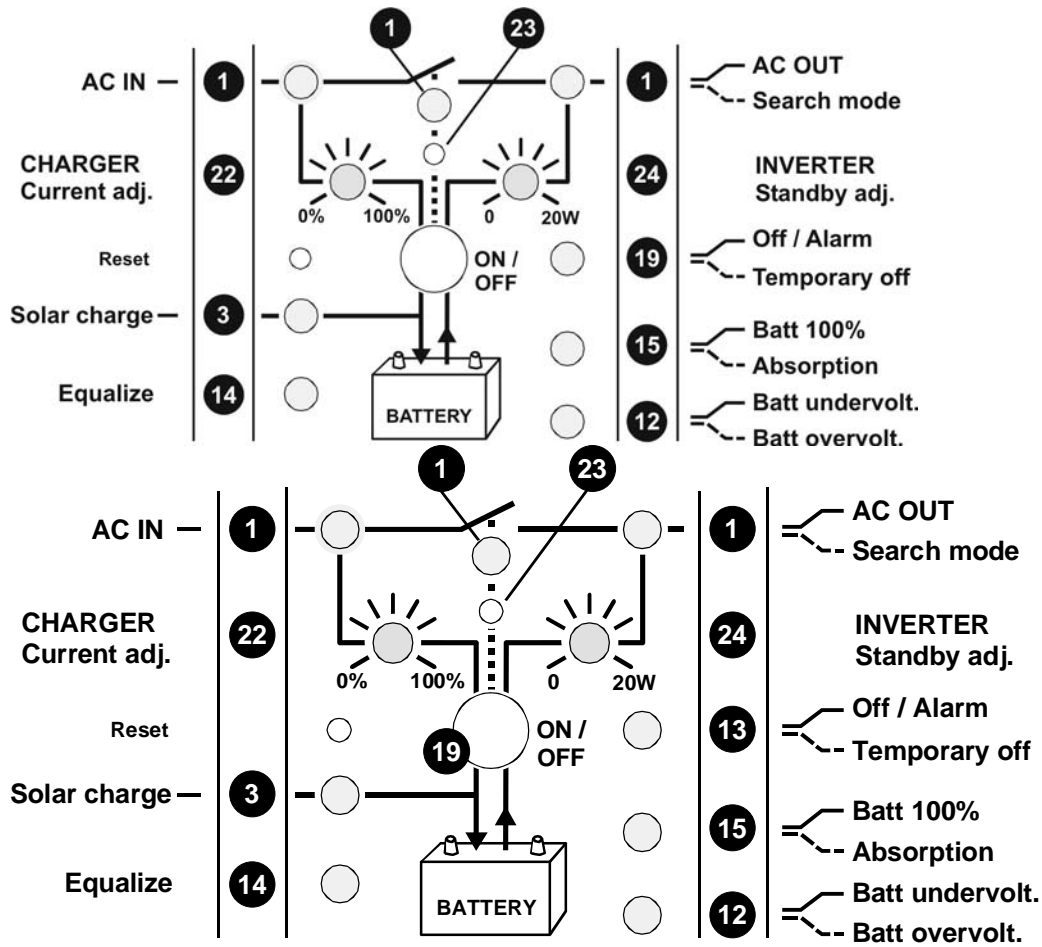
Die Fernsteuerung RCC-01 wird mit einem 20m langen Kabel mit einem Stecker RJ11/8 in die mit „Remote control“ bezeichnete Buchse „C“ eingesteckt. Die Fernsteuerung kann in jeder Betriebssituation ein- bzw. ausgesteckt werden. Den Stecker ohne Kraftaufwand einschieben, bis ein hörbares Klicken das Einrasten anzeigt. Das gleiche Vorgehen gilt für den Stecker in der Fernsteuerung. Die Länge des Kabels für die Fernsteuerung kann bis auf 40m verlängert werden.

3.6.6 Anschluss der Temperatursonde (Temp. CT-35)

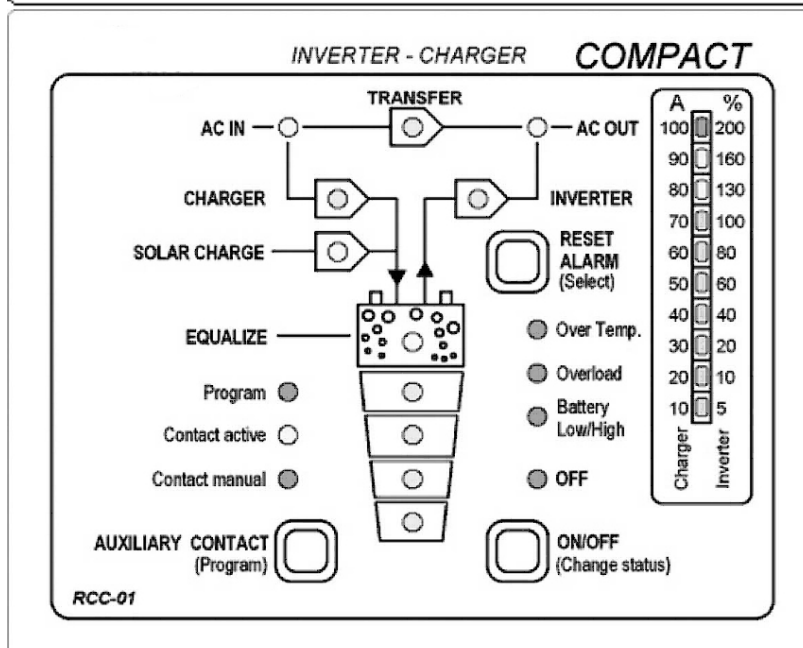
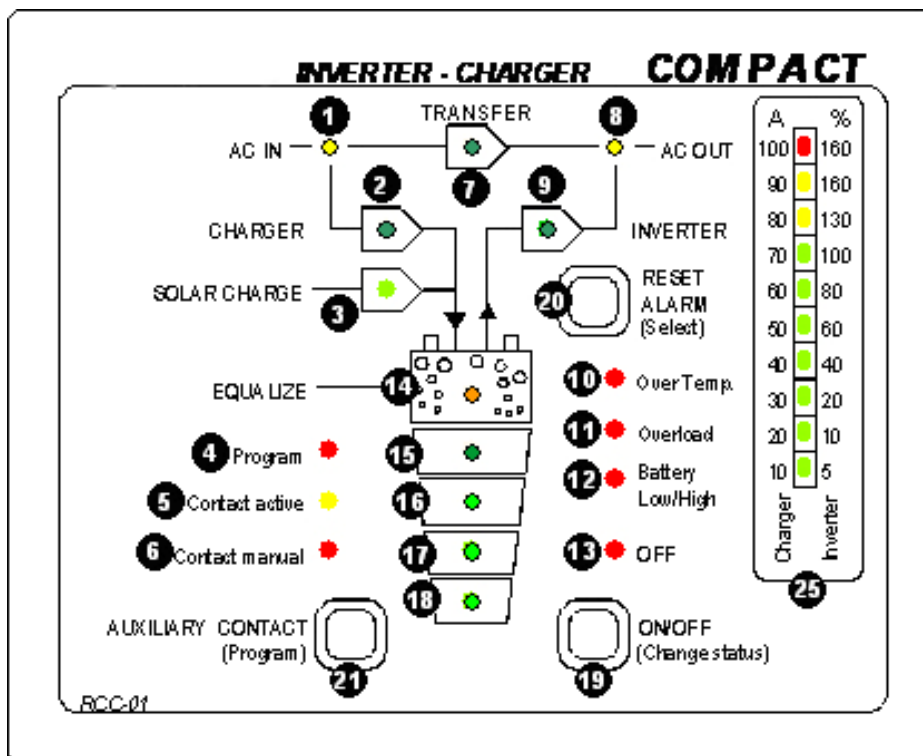
Die Temperatursonde CT-35 wird mit einem 3m langen Kabel mit einem Stecker RJ11/6 in die mit „Temperatur Sensor“ bezeichnete Buchse „F“ eingesteckt. Die Temperatursonde kann in jeder Betriebssituation ein- bzw. ausgesteckt werden. Den Stecker ohne Kraftaufwand einschieben, bis ein hörbares Klicken das Einrasten anzeigt. Die Temperatursonde muss an der Seitenwand der Batterie oder in deren Nähe festgeklebt werden. **Das Kabel der Temperatursonde darf nicht mit den Batteriekabeln zusammengebunden oder in einem Strang verlegt werden.**

4 Bedienung

4.1 Anzeigen und Bedienelemente



4.2 Anzeigen und Bedienelemente für der Fernsteuerung (Remote control)



4.3 Leuchtdioden (LED)

LED	Bezeichnung	LED leuchtet	LED blinkt
1	AC IN	Eine Spannung entsprechend den eingestellten Werten liegt am Eingang AC IN an	Eine Spannung, ausserhalb der eingestellten Werte, liegt am Eingang AC IN an, oder der XP-COMPACT befindet sich in Synchronisationsphase
2	CHARGER	Der Batterielader arbeitet	Der Batterielader ist vorübergehend ausser Betrieb und startet in den nächsten 10 Sekunden. Oder er ist durch Programmierung gesperrt
3	SOLAR CHARGE	<i>Diese Funktion wird in den Geräten nicht angeboten.</i>	
4	Program	Programmmodus für Hilfskontakt	
5	Contact active	Der Hilfskontakt ist aktiv	
6	Contact manual	Der Hilfskontakt wurde manuell betätigt	
7		Das Transfersystem ist aktiv. Die Eingangsspannung wird direkt an den Ausgang AC OUT geleitet	Die Transferfunktion ist mittels Programmierung gesperrt
8	AC OUT	Am Ausgang AC OUT liegt Spannung an	Der Wechselrichter ist im Standby-Modus
9	INVERTER	Der Wechselrichter arbeitet	Der WR ist mittels Programmierung gesperrt
10	Over Temp.	Der XP-COMPACT ist wegen Überhitzung vorübergehend ausser Betrieb	
11	Overload	Der XP-COMPACT ist wegen Überlast oder Kurzschluss ausser Betrieb	
12	Batt. Low/High	Die Batteriespannung ist zu tief	Die Batteriespannung ist oder war zu hoch
13	OFF	Der XP-COMPACT ist ausgeschaltet Wiedereinschalten nur manuell möglich	Der XP-COMPACT ist vorübergehend ausgeschaltet. Das Wiedereinschalten erfolgt automatisch sobald der Fehler verschwunden ist!
14	Equalize	Ein Egalisierungszyklus ist programmiert	Der Batterielader macht einen Egalisierungszyklus

15–18		Ladezustand der Batterie 25%/50%/75%/100%	LED 15: Der Lader ist in der Absorbitionsphase
25	Power Monitor	Ausgangsleistung in % der Nominalleistung (Betriebsart Wechselrichter) sowie Ladestrom in A (Betriebsart Batt.- Lader)	

4.4 Tasten

19	ON/OFF	Ein- bzw. Ausschalten des XP-COMPACT (Hilfstaste für Programm.)	
20	RESET ALARM	Akustisches Signal aus (Hilfstaste für Programmierung)	
21	Aux. Contact	Manuelle Steuerung des Hilfskontakt (Hilfstaste für Programmierung)	

4.5 Drehknöpfe

22	CHARGER	Einstellen des max. Ladestroms	
23	TRANSFER	Einstellen der Umschaltsschwelle TRANSFER – Wechselrichter	
24	STANDBY	Einstellen der Lasterkennungsschaltung	

4.6 Der Wechselrichter

Im XP-COMPACT ist ein Wechselrichter eingebaut, welcher eine Sinus-Wechselspannung höchster Qualität erzeugt. Mit diesem Wechselrichter können jegliche Wechselstromverbraucher 230Vac bis zur Nominalleistung des XP-COMPACT betrieben werden. Zum Starten von Motoren steht mit dem XP-COMPACT erhöhte Leistung zur Verfügung.

Der Wechselrichtermodus wird angezeigt durch die LED 9 (Inverter). Wurde der Wechselrichterbetrieb mittels Programmierung gesperrt, blinkt die LED 9. Wenn LED 9 und LED 8 leuchten, ist der Wechselrichter in Betrieb und am Ausgang AC OUT liegen 230Vac an.

Die jeweilige Leistung der angeschlossenen Verbraucher wird auf dem Power Monitor und auf der Fernsteuerung angezeigt.

4.6.1 Lasterkennungsschaltung „Standby“

Um die Batterie nicht unnötig zu entladen, schaltet sich der Wechselrichter automatisch aus, wenn kein Verbraucher angeschlossen ist, und automatisch wieder ein, wenn ein Verbraucher eingeschaltet wird. Die LED 8 blinkt, wenn der Wechselrichter im Standby- Modus ist. Der Einschaltpegel kann mit dem Drehknopf 24 „STANDBY“ eingestellt werden. Das Einstellen des Einschaltpegels geschieht folgendermassen: Sämtliche Verbraucher ausschalten (die LED 8 muss blinken); Drehknopf 24 nach rechts bis zum Anschlag drehen; kleinsten Verbraucher einschalten (z.B. Ladegerät für das Mobiltelefon); Drehknopf **langsam** nach links drehen bis LED 8 leuchtet.

Ist der Standby- Modus nicht erwünscht, muss der Drehknopf 24 nach links in die Stellung OFF gedreht werden.

4.6.2 Überlast

Wird der Wechselrichter zu lange oder zu stark überlastet, erfolgt seine Abschaltung. Die LED 11 „Overload“ leuchtet und die LED 13 „OFF“ blinkt. Nach ca. 10 Sekunden schaltet sich der Wechselrichter automatisch wieder ein. Wird der Wechselrichter vier mal hintereinander in kurzer Folge überlastet, schaltet der Wechselrichter nicht mehr automatisch ein. Die LED 13 leuchtet dauernd. Ein Wiedereinschalten muss durch Drücken der Taste 19 „ON/OFF“ erfolgen.

4.6.3 Überhitzung

Wird der Wechselrichter zu lange überlastet oder wird er bei zu hoher Umgebungstemperatur betrieben, erfolgt seine Abschaltung. Die LED 10 „Over Temp.“ leuchtet und die LED 13 „OFF“ blinkt. Nach Abkühlung schaltet sich der Wechselrichter automatisch wieder ein. Eine Minute bevor sich der Wechselrichter wegen Übertemperatur abschaltet, ertönt ein akustisches Signal. Wenn der Hilfskontakt für das Ansprechen bei Übertemperatur programmiert wurde, spricht der Kontakt zusammen mit dem akustischen Signal an. Auf diese Weise kann zum Beispiel ein Notstromsystem gestartet werden, ohne dass eine Unterbrechung der Energieversorgung auftritt.

4.6.4 Batteriezustand

Tiefentladungen von Blei-Säure-Batterien führen zu grossem Kapazitätsverlust und vorzeitiger Alterung. Der Batteriezustand wird darum laufend überwacht. Bei Unterspannung schaltet sich der Wechselrichter ab. Die LED 12 „Batt. Low/High“ leuchtet und die LED 13 „OFF“ blinkt. Wenn die Batteriespannung wieder auf 12.1V / 24.2V / 48.4V ansteigt, schaltet sich der Wechselrichter automatisch wieder ein. Eine Minute bevor sich der Wechselrichter wegen Unterspannung abschaltet, ertönt ein

akustisches Signal. Falls der Hilfskontakt für das Ansprechen bei Unterspannung programmiert wurde, spricht der Kontakt zusammen mit dem akustischen Signal an. Auf diese Weise kann zum Beispiel ein Notstromsystem gestartet werden, ohne dass eine Unterbrechung der Energieversorgung auftritt.

Die Unterspannung ist auf 11.6V / 23.2V / 46.4V eingestellt. Diese Einstellung gilt für die meisten handelsüblichen Batterien. Diese Spannungsschwelle wird von dem im XP-COMPACT eingebauten Batteriemanagement-System entsprechend der Last und dem Batteriezustand nachgeführt. **Diese Einstellung ist etwa zu vergleichen mit der Entladeschlussspannung von 10.8V / 21.6V / 43.2, welche für die meisten Batterien bei Nominallast angegeben wird.**

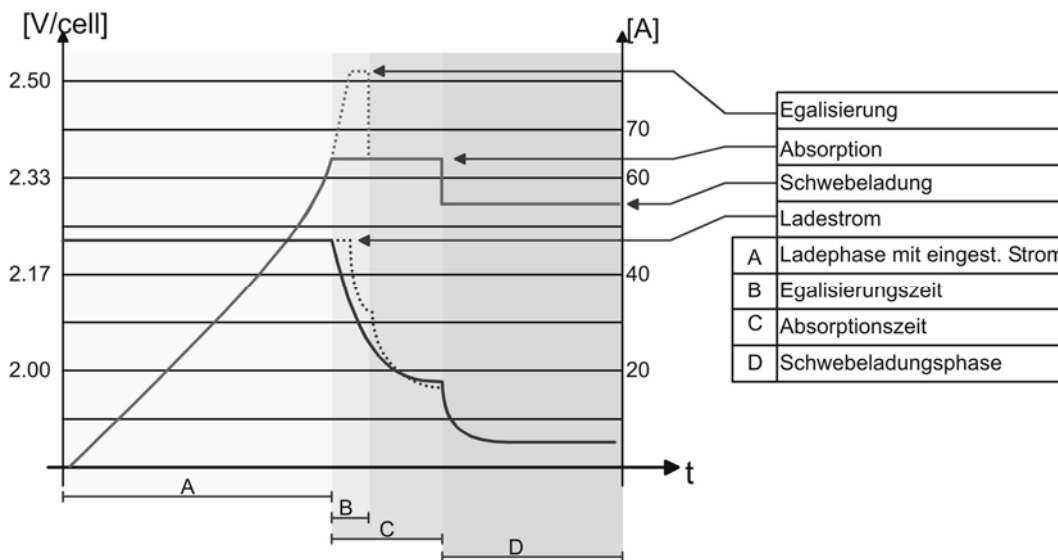
Sämtliche Spannungsschwellen können programmiert werden. Die Beschreibung finden Sie im Abschnitt Programmierung. Erkundigen Sie sich bei Ihrem Batteriehändler welche Werte für Ihre Batterie einzustellen sind.

4.7 Der Batterielader

4.7.1 Ladezyklus

Der vollautomatische Batterielader des XP-COMPACT ist ab Werk so eingestellt, dass die meisten Blei-Säure- und Blei- Gel- Batterien optimal geladen werden. Sobald mindestens die auf dem Drehknopf 23 eingestellte Wechselspannung am Eingang AC IN anliegt (LED 1 AC IN leuchtet), schaltet der Batterielader automatisch ein (LED 2 CHARGER leuchtet). Die Batterie wird entsprechend ihrem Ladezustand, den eingestellten Spannungsschwellen und dem Ladestrom vollautomatisch aufgeladen. Dank dem eingebauten Schwebeladesystem können die Batterien bei eingeschaltetem Batterielader unbegrenzt lange angeschlossen bleiben.

Während des Ladevorganges werden die Verbraucher am Ausgang AC OUT weiterhin versorgt (LED 8 AC OUT leuchtet).



4.7.2 Spannungsschwellen der Batterie (Grundeinstellung)

Unterspannung			Schwebeladung			Absorption			Egalisierung			Absorptions-dauer	Egalisie-rungsdauer
12V	24V	48V	12V	24V	48V	12V	24V	48V	12V	24V	48V	12/24/48V	12/24/48V
11.6	23.2	46.4	13.5	27.0	54.0	14.4	28.8	57.6	15.6	31.2	62.4	2 St.	20'

Mit der Fernsteuerung RCC-01 können diese Werte verschieden programmiert werden

4.7.3 Egalisierungsladung (Equalize)

Bevor Sie den XP-COMPACT für eine Egalisierungsladung programmieren, müssen Sie sich bei Ihrem Händler erkundigen, ob die Batterien auch wirklich dafür geeignet sind.

Um bei Blei-Säure-Batterien die Elektrolytflüssigkeit gut zu durchmischen und die Bleiplatten zu „entschlacken“, empfiehlt sich von Zeit zu Zeit eine Egalisierung. Die Egalisierungsspannung kann geändert werden. Das Vorgehen ist im Abschnitt „Programmierung“ beschrieben. Wenn der XP-COMPACT mit einer Blei-Säure-Batterie betrieben wird, welche für Egalisierungsladungen zugelassen ist, kann der Schiebeschalter „(E)“ in die Stellung ON gebracht werden (nach oben schieben). In dieser Schalterstellung wird automatisch bei jedem 25. Ladezyklus eine Egalisierung während 20 Minuten durchgeführt. Während eines solchen Ladezyklus leuchtet die LED 14 und während der Egalisierung blinkt sie. Ein Ladezyklus mit Egalisierung kann auch unabhängig von der jeweiligen Programmierung gestartet werden. Dazu muss der Schiebeschalter von der Position „Off“ in die Position „On“ geschoben werden. Die LED 14 leuchtet auf. Falls die periodische Egalisierung nicht erwünscht ist, muss nach diesem manuell ausgelösten Zyklus der Schiebeschalter wieder in die Stellung „Off“ gebracht werden.

VORSICHT: Während der Egalisierung wird von den Batterien erheblich mehr Gas produziert. EXPLOSIONSGEFAHR BATTERIERAUM MUSS GUT GELÜFTET WERDEN!! Nicht dafür geeignete Batterien dürfen auf keinen Fall auf diese Weise geladen werden.

4.7.4 Ladestrom Einstellung

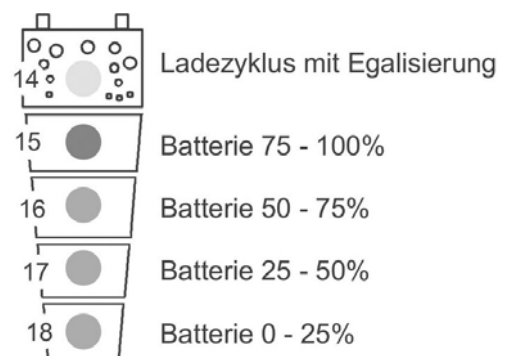
Der maximale Ladestrom für die Batterie kann mittels Drehknopf 22 (CHARGER) eingestellt werden. Der Ladestrom der Batterie sollte auf ca. 10 – 20% der Batteriekapazität eingestellt werden. Das heisst, dass der Ladestrom für eine Batterie mit 200Ah zwischen 20 – 40A eingestellt werden sollte.

Der Ladestrom wird auf dem POWER MONITOR (25) und auf der Fernbedienung angezeigt.

4.7.5 Batteriezustand

Der jeweilige Ladezustand der Batterie wird vom eingebauten Mikroprozessor mit einem speziell dafür entwickelten Algorithmus errechnet und mit den LED 15 – 18 angezeigt. Die LED 14 leuchtet, wenn das System einen Ladezyklus mit Egalisierungsladung ausführt.

Bemerkung: die genaue Messung des Ladezustands einer Batterie anhand elektrischer Parameter ist fast unmöglich. Anzeigen des Ladezustandes sind darum immer nur mehr oder weniger präzise Annäherungen. Das im XP-COMPACT eingebaute Messsystem berücksichtigt die Batteriespannung, den Entlade- respektive den Ladestrom sowie die Welligkeit der Spannung. Werden die Batterien und der XP-COMPACT entsprechend deren technischen Daten betrieben zeigt das System den Zustand der Batterie verlässlich an. Bei folgenden nicht abschliessend behandelten Betriebsfällen kann die Anzeige abweichen:



- Laden oder Entladen der Batterie mit zu hohen Strömen
- Querschnitt der Batteriekabel zu klein
- Schlecht befestigte oder korrodierte Batterieanschlüsse
- Ladung der Batterien mit externen Batterieladern
- Entladung der Batterien mit nicht am XP-COMPACT angeschlossenen Verbrauchern
- Bei Betrieb mit defekten oder sulfatierten Batterien.

Das heisst die Anzeige kann innerhalb weniger Minuten beim Laden von 25% auf 75% umschalten oder beim Entladen in die umgekehrte Richtung.

Da viele der oben aufgeführten Betriebsfälle recht häufig auftreten, berücksichtigt das Messsystem des XP-COMPACT beim Laden nur die Spitzen der Spannungswelligkeit. Das hat zur Folge, dass die mit einem Voltmeter gemessene Batteriespannung bei Beginn der Absorptionsphase tiefer erscheint, sich aber mit dem automatischen Absenken des Ladestroms richtig einstellt.

Zur Sicherheit setzen Sie sich mit Ihrem Händler in Verbindung, um die empfohlenen Ladespannungen und Ladeströme für Ihre Batterie zu erfahren. Die Spannungsschwellen und die Ladecharakteristik können durch Programmierung geändert werden. Die Instruktionen für die Programmierung des Batterieladers finden Sie im Abschnitt „Programmierung“ (5.3). Die richtige Ladung der Batterien ist für die Sicherheit, für die einwandfreie Funktion und für die Lebensdauer unerlässlich.

Die Funktion des Batterieladers ist in der Abbildung unter 4.7 dargestellt.

4.8 Der Umschaltautomat (Transferschalter)

Wenn eine Wechselspannung am Eingang AC IN des XP-COMPACT anliegt, blinkt die LED 1 AC IN. Wenn diese Spannung mit dem mittels dem Drehkopf 23 (Transfer) eingestellten Wert übereinstimmt und die Frequenz zwischen 44Hz und 65Hz liegt, wird diese Spannung direkt auf den Batterielader und auf die Verbraucher am Ausgang AC OUT geschaltet (LED 1 leuchtet). Die LED 1 (AC IN), LED 7 (TRANSFER) und LED 8 (AC OUT) leuchten. Der Wechselrichter wird aus- und der Batterielader eingeschaltet. Diese Schaltung erfolgt immer automatisch, ausser wenn die Funktion Lader und oder Transfer durch entsprechende Programmierung gesperrt wurde.

Der maximale Strom des Transferschalters beträgt 16A. Das heisst, es können über diesen Schalter Verbraucher bis maximal 3700 Watt betrieben werden. Wenn der Batterielader in Betrieb ist, wird ein Teil dieser Leistung für die Ladung benötigt. Dank dem automatischen System zur Stromaufteilung „Power Sharing“ steht aber am Ausgang immer die volle Leistung für die Verbraucher zur Verfügung.

Der Transferschalter ist mit dem 16A Sicherungsautomaten (N) auf der Kabelanschlussseite des XP-COMPACT gegen Überlast geschützt. Sollte dieser Sicherungsautomat ausgelöst haben, ist dieser Zustand durch einen vorstehenden Knopf angezeigt. Durch Eindrücken dieses Knopfes wird der Sicherungsautomat wieder zurückgesetzt.

Bemerkung: Der XP-COMPACT erzeugt im Wechselrichterbetrieb eine reine, sinusförmige und quarzstabile Ausgangsspannung. Wenn aber der XP-COMPACT vom Netz oder einem Generator gespeist wird und das Transferrelais aktiv ist, liegt am Ausgang AC OUT die am Eingang anliegende Spannung. Diese Spannung kann vom XP-COMPACT nicht beeinflusst werden!

4.8.1 Einstellen der minimalen Transferspannung

Mit dem Trimmer „TRANSFER“ (23) KANN DIE GEWÜNSCHTE Eingangsspannungsschwelle von 150 bis 230Vac eingestellt werden. Ab Fabrik ist dieser Trimmer auf ca. 200Vac eingestellt. Dieser Wert ist für die meisten Anwendungen richtig.

Eine Eingangsspannung (ACin) über diesem Wert bewirkt das Durchschalten dieser Spannung an den Ausgang (ACout), stoppt den Wechselrichter und aktiviert den Batterielader. Wenn die Eingangsspannung 20V unter dem eingestellten Wert liegt, wird der Transfer ausgeschaltet und gleichzeitig der Wechselrichter eingeschaltet.

Bemerkung: Mit dem Trimmer „TRANSFER“ (23) wird der Schalterpunkt des Transfersystems eingestellt und in keinem Fall die Eingangs- oder die Ausgangsspannung!!!

4.8.2 Schneller Umschaltmodus des Transfersystems

Der schnelle respektive unterbrechungsfreie Umschaltmodus wird mit dem Schiebeschalter (D) „Transfer delay“ Off im Kabelanschlussteil programmiert.

Das Ziel des XP-COMPACT ist, für die Verbraucher eine Wechselspannung unterbrechungsfrei zur Verfügung zu stellen. Wenn die Eingangsspannung AC IN nicht mehr den mit dem Drehknopf 23 eingestellten Werten entspricht, schaltet sich sofort der Wechselrichter ein. Die Umschaltung erfolgt in 0.02 Sekunden. Diese schnelle Umschaltung garantiert, dass die unterbrechungsfreie Funktion der meisten Verbraucher sichergestellt ist. Liegt am Eingang AC IN wieder Wechselspannung an, erfolgt erneut die Umschaltung ohne Unterbrechung, und der Wechselrichter wird gestoppt.

4.8.3 Verzögerter Umschaltmodus des Transfersystems

Der verzögerte Umschaltmodus „Transfer Delay ON“ wird mit dem Schiebeschalter D im Kabelanschlussteil programmiert. Der XP-COMPACT stellt für die Verbraucher unterbrechungsfrei Wechselspannung zur Verfügung. Eine sofortige Umschaltung ist jedoch nicht in jedem Fall sinnvoll oder erwünscht. Zum Beispiel, wenn die Verbraucher mit einem kleinen Notstromgenerator betrieben werden. Eine kurzzeitige Überlastung eines solchen Generators, zum Beispiel beim Start eines Staubsaugers usw., bewirkt einen kurzzeitigen Einbruch der Spannung. Da in solchen Fällen eine Umschaltung auf den Wechselrichter nicht sinnvoll ist, kann der Umschaltautomat mit einer Verzögerung programmiert werden. Wenn der Schiebeschalter (Transfer delay) in der Stellung „On“ steht, erfolgt die Umschaltung auf den Wechselrichter mit einer Verzögerung von 5 Sekunden. Fällt die Spannung unter 100Vac erfolgt die Umschaltung ohne Verzögerung! Die Rückschaltung Wechselrichter - AC-IN erfolgt ohne Unterbrechung.

4.9 Der Multifunktionskontakt

Im XP-COMPACT ist ein frei programmierbares Leistungsrelais eingebaut. Der potentialfreie Wechselkontakt dieses Leistungsrelais kann über die Schraubklemmen G „AUX CONTACT“ angeschlossen werden.

Mit der Taste 21 „AUXILIARY CONTACT“ kann der Kontakt manuell und unabhängig von Programmierung und Betriebszustand ein- bzw. ausgeschaltet werden.

Achtung: wird der Hilfskontakt manuell betätigt ist seine programmierte Funktion inaktiv. LED 6 leuchtet bei manueller Betätigung und LED 5 zeigt den Zustand des Kontaktes.

Das Ein- und das Ausschalten dieses Kontaktes kann aber auch frei für jeden Betriebszustand des XP-COMPACT programmiert werden. Seiner Anwendung sind

somit fast keine Grenzen gesetzt und bleiben vollständig Ihren Bedürfnissen und Phantasien überlassen.

Beispiele für die Programmierung sind in Kapitel 5.4 beschrieben.

Dieser Kontakt kann zum Beispiel als Alarmkontakt, als Wechselstromausgang 2. Priorität, als Gleichstromausgang, als automatischer Generatorstart, usw. verwendet werden.

In seiner Grundeinstellung ist dieser Kontakt als Alarmkontakt programmiert und wird bei folgenden Zuständen aktiv:

- Übertemperatur (LED 10)
- Überlast (LED 11)
- Unter- oder Überspannung (LED 12)
- OFF (LED 13)

**Maximale Kontaktbelastung: 230Vac / 12Vdc / 24Vdc / 16Amp.
> 36Vdc / 3Amp.**

Das Programmieren des Hilfskontakts ist im Abschnitt Programmierung beschrieben.

4.10 Die Fernsteuerung RCC-01

Als Option kann eine Fernsteuerung am XP-COMPACT angeschlossen werden. Alle Bedienungselemente und Anzeigen mit Ausnahme der Pegeleinstellungen sind auf dieser Fernsteuerung vorhanden. Die Fernsteuerung ist mit einem 20m langen Kabel versehen. Die Fernsteuerung ist für Aufputzmontage oder für den Einbau in Schalttafeln geeignet. Die Befestigung erfolgt mit 4 Schrauben. Die Programmierung des XP-COMPACT kann auch mit der Fernsteuerung erfolgen. Das Vorgehen für die Programmierung ist im Abschnitt Programmierung beschrieben.

In der Fernsteuerung sind ein weiterer Hilfskontakt und ein Steuereingang eingebaut. Diese beiden Funktionen stehen über eine Steckbuchse RJ11/4 zur Verfügung.

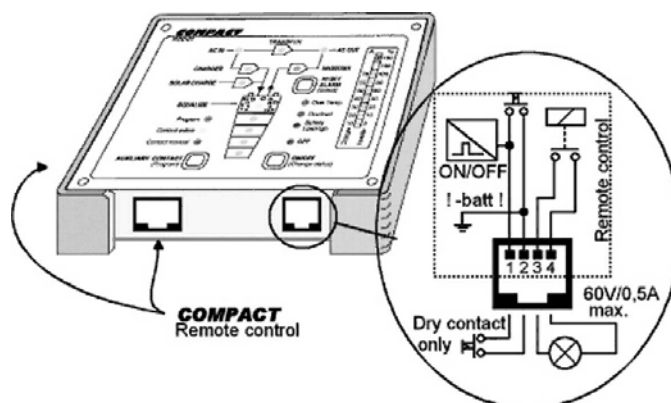
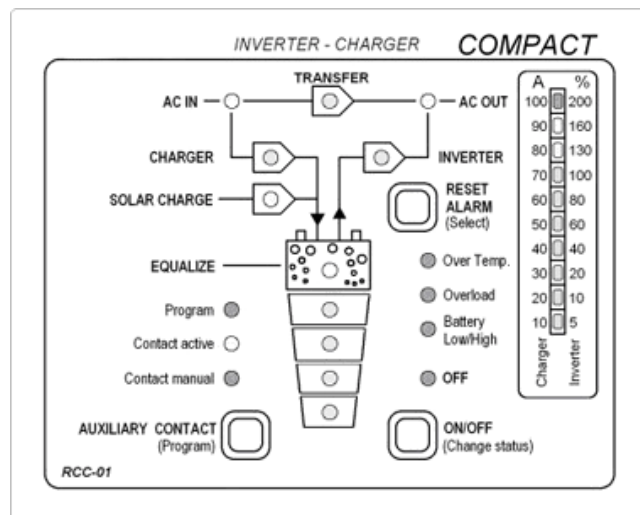
Der Hilfskontakt ist ein Arbeitskontakt (max. 0.5A!), welcher unabhängig vom Hilfskontakt des XP-COMPACT bei einer Störung der Anlage aktiv ist. Das heisst, es ist ein zusätzlicher Alarmkontakt welcher mit einer oder mehrerer der LED 10 - 13 aktiv ist.

Der Steuereingang ist parallel zur ON/OFF- Taste geschaltet. Mit einer Impulstaste oder einem Impulskontakt kann über diesen Eingang der XP-COMPACT ein- bzw. ausgeschaltet werden.

VORSICHT: An diesen Steuereingang darf keine Fremdspannung angelegt werden.

Bestellnummer der Fernsteuerung: RCC-01

Abmessungen: H x B x T / 111.5 x 136.5 x 25mm



4.11 Die Temperatursonde CT-35

Entsprechend der Temperatur ändern sich die Betriebsspannungen der Blei-Säure-Batterien. Um die Betriebsspannungen entsprechend der jeweiligen Temperatur zu korrigieren, kann eine Temperatursonde am XP-COMPACT angeschlossen werden.

Die Kompensation durch die Sonde beträgt $-3\text{mV}/^{\circ}\text{C}/\text{Zelle}$.

Bestellnummer: CT-35

Abmessungen: H x B x T / 58 x 51.5 x 22mm



5 Programmierung (nur mit Fernsteuerung RCC-01 möglich)

Hinweis: Der XP-COMPACT (ausgenommen 60Hz Versionen) ist mit einem Flash-Prozessor mit EEPROM-Speicher ausgerüstet; das heisst, auch wenn er von der Batterie getrennt und wieder neu angeschlossen wird bleiben die vorgängig gemachten Einstellungen bestehen.

Es ist möglich den XP-COMPACT zu initialisieren (RESET) indem die drei Tasten 19/20/21 kleine schwarze Taste „Reset“ am links dem „On/Off“ Taste 1 oder die drei Tasten 19/20/21 dem Fernsteuerung während mindestens 2 Sekunden gedrückt werden. Der RESET wird durch einen Signalton bestätigt. Bei diesem Vorgang wird der XP-COMPACT ausgeschaltet. Sofort nach dem ertönen des Signaltones kann das Gerät wieder eingeschaltet werden. Die vorgängig gemachten Einstellungen bleiben bestehen.

5.1 Standardeinstellungen

Der XP-COMPACT ist ab Fabrik mit folgender Grundeinstellung programmiert:

Hilfskontakt: Aktiv bei Alarm oder manuellem Ausschalten (LED 10/11/12/13)

Batteriespannungen: Unterspannung	11.6V / 23.2V / 46.4V
Schwebeladung	13.5V / 27.0V / 54.0V
Ladeschlussspannung	14.4V / 28.8V / 57.6V
Egalisierung	15.6V / 31.6V / 62.4V

Absorptionszeit: 2 Stunden

Egalisierungszeit 20 Minuten

5.2 Zurücksetzen der Programmierung (Standardeinstellung)

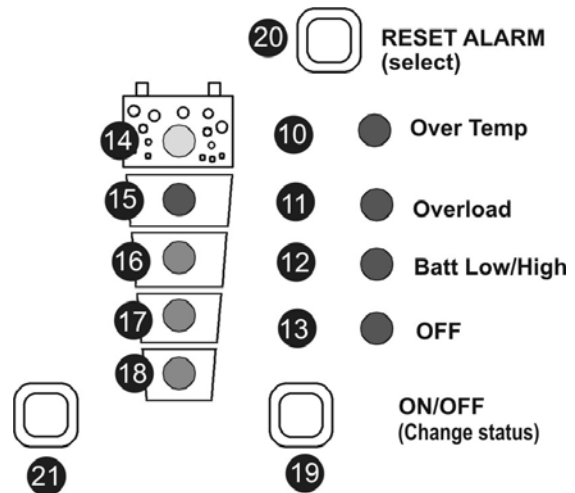
Um die Programmierung des XP-COMPACT in die Grundeinstellungen zurückzuführen, müssen die Tasten 20/21 während mindestens 2 Sekunden zusammen gedrückt werden. Mit einem Signalton wird das Rücksetzen in die Grundeinstellungen bestätigt. Bei diesem Vorgang wird der XP-COMPACT ausgeschaltet. Sofort nach dem ertönen des Signaltones kann das Gerät wieder eingeschaltet werden.

5.3 Batteriespannungen und Absorptionsdauer

5.3.1 Programmierverfahren

Die Schaltspannungen (Unterspannung, Schwebeladung, Ladeschluss und Egalisierung) sowie die Dauer der Absorptionsladung können geändert werden. Die Anzeige dieser Spannungen und der Zeiten im Programmiermodus erfolgen entsprechend dem nachstehenden Schema: Die Programmierung erfolgt gemäss folgenden Schritten:

- Die Taste 21 (Programm) zusammen mit der Taste 19 (Change status) mind. 2 Sekunden lang drücken.
- Mit der Taste 20 (select) die zu ändernde Batterieschwelle oder Absorptionsdauer wählen.
- Unterspannung LED 13
- Schwebeladung LED 12
- Absorption (Ladeschluss) LED 11
- Egalisierung LED 10
- Absorptionszeit LED 10/11/12/13
- Mit der Taste 19 (Change status) die gewünschte Spannung oder Dauer einstellen (LED 14/15/16/17/18). Die jeweiligen Werte sind in der nachstehenden Tabelle aufgeführt.
- Falls gewünscht, mit der Taste 20 (select) eine weitere zu ändernde Schaltspannung oder Dauer wählen.
- Mit der Taste 19 (Change status) auch diese gewünschte Spannung oder Dauer einstellen.
- Wird während 30 Sekunden keine Taste gedrückt, werden die eingestellten Werte automatisch gespeichert und der XP-COMPACT schaltet in den normalen Betriebszustand zurück.
- **Durch Programmierung geänderte Spannungsschwellen und Zeiten werden erst beim nächsten Ladezyklus aktiv!**



5.3.2 Liste der möglichen Spannungsschwellen und Zeiten

LED	Unterspannung			Schwebeladung			Absorption			Egalisierung			Absorptionsdauer	Egalisierungsdauer
	LED 13			LED 12			LED 11			LED 10			LED 10/11/12/13	LED 10/11
	12	24	48	12	24	48	12	24	48	12	24	48	12/24/48	12/24/48
14	12.0	24.0	48.0	13.7	27.4	54.8	16.2	32.4	64.8	16.2	32.4	64.8	4 St.	3 St.
15	11.8	23.6	47.2	13.6	27.2	54.4	15.6	31.2	62.4	15.9	31.8	63.6	3 St.	2 St.
16	11.6	23.2	46.4	13.5	27.0	54.0	15	30	60	15.6	31.2	62.4	2 St.	1 St.
17	11.4	22.8	45.6	13.4	26.8	53.6	14.4	28.8	57.6	15.3	30.6	61.2	1 St.	40'
18	11.2	22.4	44.8	13.3	26.6	53.2	14.2	28.4	56.8	15	30	60	0 – 1'	20'

Die fettgedruckten Werte entsprechen den Standardeinstellungen.

Nicht geeignete Spannungsschwellen können die Lebensdauer der Batterien stark vermindern oder gar zur Zerstörung der Batterie führen! Informieren Sie sich darum vorher eingehend bei Ihrem Händler.

5.4 Hilfskontakt

5.4.1 Prinzip

Der Hilfskontakt kann grundsätzlich für jeden Betriebszustand programmiert werden. Die Programmierung ist für einen oder mehrere Betriebszustände des XP-COMPACT möglich. Wird der Kontakt für mehrere Zustände programmiert ist er aktiv sobald sich der XP-COMPACT in einem der programmierten Zustände befindet. Das heisst die Arbeit des Kontaktes entspricht einer logischen ODER- Funktion. Als Betriebszustand wird jeweils die einer LED zugeordnete Funktion bezeichnet, zum Beispiel LED 8 (AC OUT).

5.4.2 Die Programmierung des Hilfskontakts

Die Programmierung des Hilfskontakts erfolgt gemäss folgenden Schritten:

- Die Taste 21 (Programm) mind. 2 Sekunden lang drücken. Die LED 4 „Programm“ leuchtet als Zeichen, dass sich der XP-COMPACT im Programmmodus befindet. Die für den Hilfskontakt bereits programmierten Zustände blinken.
- Mit der Taste 20 (select) den gewünschten Zustand wählen bei welchem der Kontakt aktiviert werden soll. Nicht erwünschte Zustände müssen mit der Taste 19 (Change Status) gelöscht werden ! Zum Beispiel die vier in der Grundeinstellung aktivierten Zustände (LED 10-13).
- Mit der Taste 19 (Change status) den Zustand bestätigen.
- Um weitere Zustände zu programmieren diesen Vorgang wiederholen.
- Wird während 30 Sekunden keine Taste gedrückt, werden die eingestellten Werte automatisch gespeichert und der XP-COMPACT schaltet in den normalen Betriebszustand zurück.
- Zur Kontrolle der Programmierung muss von neuem die Taste 21 länger als 2 Sekunden gedrückt werden. Die programmierten Zustände werden durch blinkende LED's angezeigt. Nach 30 Sekunden schaltet der XP-COMPACT automatisch wieder in den Betriebsmodus zurück.

5.4.3 Der Hilfskontakt für den Generatorstart

Generatorstart entsprechend der Batteriekapazität

Wenn die Batteriekapazität (LED 15 – 18) für die Programmierung des Hilfskontaktes verwendet werden soll, müssen folgende Bedingungen beachtet werden.

Wenn bei einer bestimmten Restkapazität der Batterie mit dem Hilfskontakt eine Notstromversorgung gestartet werden soll, müssen zwei Batteriekapazitäten programmiert werden. Die erste (z.B. Batterie 50% LED 17) für das Starten resp. Aktivieren des Hilfskontaktes und der zweite (z.B. Batterie 100% LED 15) für den Stop resp. zum deaktivieren des Hilfskontaktes. Bei dieser Programmierung arbeitet der Hilfskontakt mit dem am tiefsten eingestellten Zustand und fällt nach der Ladung beim Erreichen des höheren programmierten Zustandes ab.

Beispiel : Generatorstart mit XP-COMPACT

Für das Programmieren des Hilfskontakts für den Generatorstart bei 25% und Stop bei 75% der Batterie müssen folgende Schritte ausgeführt werden:

- Taste AUX. CONTACT (Program) 21 mind. 2 Sekunden drücken. Danach werden die programmierten Zustände durch blinken angezeigt (Fabrikeinstellung LED 10/11/12/13) Da diese Zustände für den Generatorstart nicht gewünscht sind, müssen sie gelöscht werden.
- Mit der Taste (select) 20 die zu löschenden LED's anwählen (aktive LED's blinken) und mit der Taste Program 19 Change Status ausschalten. Mit der Taste select 20 die nächste zu löschende LED anwählen und mit der Taste 19 Change Status löschen usw. bis alle nicht gewünschten Zustände gelöscht sind.
- Danach mit der Taste select 20 die LED 17 anwählen und mit der Taste 19 Change Status den Kontakt aktivieren. Der Generator wird beim Löschen der LED 17 starten.
- Danach mit der Taste select 20 die LED 16 anwählen und mit der Taste Change Status 19
- den Kontakt aktivieren. Der Generator wird beim Aufleuchten der LED 16 abschalten.
- Wird während 30 Sekunden keine Taste aktiviert geht die Anzeige automatisch in den normalen Betriebszustand zurück.
- Zur Kontrolle kann die Taste Program wieder länger als 2 Sekunden gedrückt werden. Die programmierten Zustände werden durch Blinken angezeigt.

5.4.4 Der Hilfskontakt für Verbraucher 2. Priorität

Oft ist es sinnvoll, dass Verbraucher mit grosser Leistung oder minderer Priorität nicht oder nur teilweise über den Wechselrichter (Batterie!) betrieben werden. Solche Verbraucher werden am besten mit dem Hilfskontakt zu- resp. abgeschaltet.

Soll zum Beispiel ein Verbraucher nur betrieben werden, wenn das Netz vorhanden ist oder der Generator läuft, muss der Hilfskontakt auf den Zustand des Transfersystems (LED 7) programmiert werden. Es ist auch möglich, dass solche Verbraucher bei Netz- oder Generatorbetrieb und bei mindestens halbvoller Batterie funktionieren sollen. Dafür muss der Hilfskontakt auf den Zustand des Transfersystems (LED 7) und auf die Batteriezustandsanzeige z.B. LED 15+16 programmiert werden.

Der Hilfskontakt ist für einen maximalen Strom von 16A (3600VA) ausgelegt. Grössere Verbraucher können über einen entsprechenden Leistungsschutz betrieben werden welcher vom Hilfskontakt gesteuert wird.

5.4.5 Manuelle Betätigung des Hilfskontakts

Der Hilfskontakt kann jederzeit mit der Taste 21 (AUX. CONTACT) betätigt werden. Die LED 6 „Contact manual“ leuchtet als Information, dass der Kontakt manuell betätigt wurde, und LED 5 „Contact active“ leuchtet, wenn der Kontakt aktiv ist. Mit einem zweiten Tastendruck wird der Kontakt deaktiviert. Mit dem dritten Tastendruck wird die automatische Funktion des Kontakts wiederhergestellt.

5.5 Sperren von Funktionen

Im XP-COMPACT können die Funktionen Lader, Wechselrichter oder Transfer (bypass) durch Programmierung gesperrt werden. Für Standardanwendungen sind solche Sperrungen nicht nötig. Es gibt aber Anwendungen wofür solche Sperrungen sinnvoll sind.

Das Programmieren solcher Sperrungen wird gemäss folgendem Ablauf ausgeführt: Taste 19 (change status) und 20 (select) mind. 2 Sekunden lang drücken – Einstieg in den Programmmodus für Sperrungen.


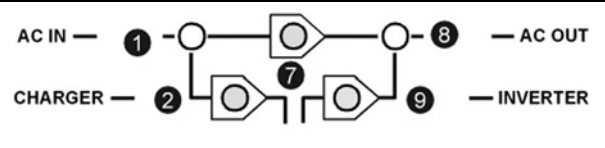
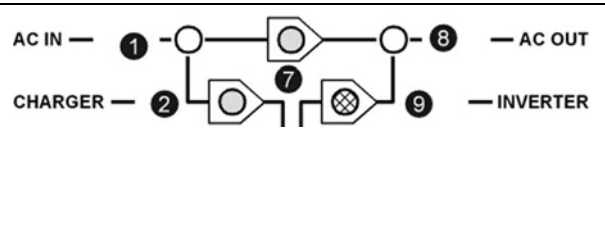
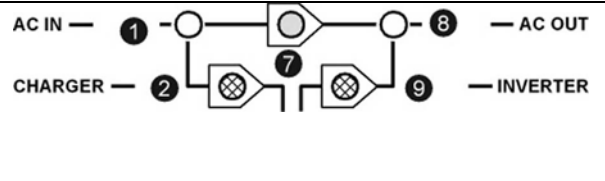
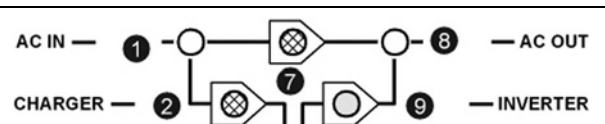
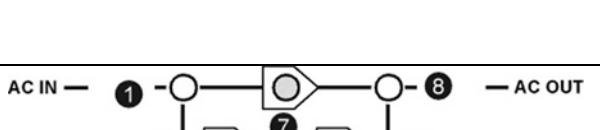

In diesem Programmmodus leuchten die LED's der nicht gesperrten Funktionen und die LED's der gesperrten Funktionen blinken. Die Funktionen deren Sperrungen programmiert werden können sind: Lader (LED 2), Transfer (LED 7) und Wechselrichter (LED 9).

Durch kurzes Drücken der Taste 20 (Select) wird jeweils auf den nächsten möglichen Sperrzustand weiter geschaltet bis die LED's der gewünschten zu sperrenden Funktionen blinken.

10 Sekunden nach dem letzten Tastendruck werden automatisch die so eingestellten Zustände übernommen und die Anzeige des XP-COMPACT schaltet in den normalen Betriebsmodus zurück.

Im normalen Betriebsmodus werden die gesperrten Funktionen durch Blinken der jeweiligen LED angezeigt.

5.5.1 Anzeige der verschiedenen Sperrzustände

	  	
		Standard Einstellung, keine Funktion ist gesperrt
		Die Wechselrichter-Funktion ist gesperrt. Transfer und Batterielader arbeiten normal. Bei Stromunterbrechung am Eingang wird sich der Wechselrichter nicht einschalten (verhindert die Entladung der Batterie bei langen Unterbrechungen)
		Die Wechselrichter- und die Lader-Funktionen sind gesperrt. Nur das Transfersystem ist aktiv vorausgesetzt die Eingangsspannung und die Frequenz sind korrekt
		Die Batterielader und die Transfersystem Funktionen sind gesperrt. Nur der Wechselrichter ist aktiv

6 Wartung

Ausser der erwähnten periodischen Kontrolle der Anschlüsse benötigt der XP-COMPACT keine Wartung. Halten Sie das Gerät sauber und wischen Sie es mit einem feuchten Lappen von Zeit zu Zeit ab.

7 Konformitätserklärung CE

Hiermit erklären wir, dass die in dieser Anleitung beschriebenen Produkte den folgenden Normen entsprechen:

EN 61000-6-1, EN 61000-6-3, EN 55014, EN 55022, EN 61000-3-2, Dir. 89/336/EEC, LVD 73/23/EEC, EN 50091-2, EN 60950-1.

CH-1950 Sion den 1. März 2003

STUDER INNOTECH (R. Studer)



8 Technische Daten

Inverter XPC	1400-12	2200-24	2200-48
Inverter			
Nominal input voltage (V)	12	24	48
Input voltage range (V)	9.5 - 16	19 - 32	38-64
Maximum input voltage (V)	24	44	64
Output voltage	230 V +0 / -10 % (pure sine wave)		
Output frequency	50 Hz +/- 0.05 %		
Continuous power (VA) / 25 °C	1100	1600	1600
Max. power 30 min. (VA) / 25 °C	1400	2200	2200
Max. power 5 sec. (VA) / 25 °C	3300	4800	4800
Max. asymmetrical load (VA)	1100	1600	1600
Maximum efficiency (%)	94	95	95
Consumption Stand-by (W)	0.6	0.9	1.3
Consumption ON @ no load (W)	4	7	7
Distortion THD (resistive load)	< 4 %	< 2 %	
Continuous cos phi	0.1 - 1		
Load detection (Stand-by)	Adjustable: 1 - 25 W		
Dynamic behavior	Load step 0 % --> 100 %: settling time 0.5 ms		
Battery charger (4 step) I-U-Uo-Equalize (every 25 cycles)			
Charging current, adjustable (A)	0 - 45	0 - 37	0 - 20
Maximum input voltage	265 VAC		
Minimum input voltage	Adjustable from 150 to 230 VAC		
Input frequency range	45 - 65 Hz		
Power factor correction, PFC	Yes, according to EN61000-3-2		
Battery monitoring			
Values adjustable by user	Yes, via optional remote control RCC-01		
Absorption time	0 - 4 h		
High voltage disconnect, HVD (V)	14.4	28.8	57.6
Floating voltage (V)	13.6	27.2	54.4
Equalisation voltage, every 25 cycles (V)	15.6	31.2	62.4
Low voltage disconnect, LVD (V)	10.8	21.6	43.2
General data			
Acoustic warning	Before battery low or overheating disconnection		
Overload and short circuit protection	Automatic disconnection with 3 times restart attempt		
Reverse polarity protection	Protected by internal fuse		
Overheating protection	Shut down @ 75 °C cooling element temperature automatic restart @ 60 °C		
Multifunction contact - potential free	16 A - 250 VAC		
Max. current / power on transfer system	16 A / 3.7 kVA		
Transfer time	< 20 ms		
Cable length Battery	165 cm		
Noise level	Without fan: < 10 dB / with fan: < 35 dB (fan turns on @ 45 °C heat sink temp.)		
Operating temperature	-20 °C to +55 °C		
Protection class	IP20 / with optional top cover: IP23		
Recommended battery capacity (Ah)	> 5 x Pnom/Unom		
Options	Remote control RCC-01, IP23 top cover, temperature sensor CT-35, 115 V / 60 Hz type on request		
Weight (kg)	11.7	12.6	12.6
Dimensions l x 215 x 124 (mm)	410	410	410



714828